

BT THERMAL SENSOR KIT FOR BLO BLOWER

Use this thermostat only with
DBX series fireplaces
installed with an approved blower.

CONTENTS OF KIT:

DESCRIPTION	QTY
T-Stat	1
Wires	2
Screw	1

If any part or parts are missing, contact the dealer where you bought the thermal sensor kit.

TOOLS NEEDED FOR INSTALLATION:

Short-Handled Phillips Screwdriver
Small Jeweler's Style Screwdriver

WARNING

- Turn off, unplug, and let fireplace cool before installing thermal sensor.
- Only a qualified service person should service and repair fireplace.
- A qualified service person must connect and disconnect fireplace to gas supply.
- Follow all local codes.

CAUTION

Electrical connections should only be performed by a qualified, licensed electrician. Main power supply must be turned off before connecting fans to main electrical power supply or performing service.

WARNING

Electrical Grounding Instructions:

This appliance is equipped with a three-prong (grounding) plug for your protection against shock hazard and should be plugged directly into a properly grounded three-prong receptacle.

IMPORTANT

Always check local building codes. The installation must comply with local regulations as well as the national electric code.

INSTRUCTIONS FOR INSTALLING THERMAL SENSOR

1. Turn the unit off and allow to cool. Unplug the installed blower.
2. Remove the top 3 (three) louvers from the unit. The louvers snap out easily.
3. **For DBX Fireplaces:** After removing the louvers, locate the hole on the front, right hand side of the inner firebox wrapper. Using a short-handled Phillips screwdriver, screw the thermal sensor switch in this hole. *See Figure 1.*
4. Drop the two electrical wires from the thermal sensor switch down the back of the firebox between the outer and inner wrapper. *See Figure 1.*
5. Open the bottom door to access the blower.
6. Unplug the white wire from the blower and plug to one of the thermal sensor switch wires. Plug the other thermal sensor switch wire to the open terminal on the blower (where the white wire was previously located). It is not necessary to remove the logs and grate to plug and unplug the wires. *See Figures 2 and 4.*
7. Plug in the blower and replace the snap-in louvers.
8. *If the blower was purchased before September 1, 1999, test the blower variable speed control setting.* Set the variable speed blower on the LOW setting. Turn the fireplace on high. The blower should turn on within 5 minutes.
9. If the blower does not turn on, turn the fireplace off and allow to cool. Unplug the blower. Using a jeweler's style screwdriver, turn the white dial on the side of the variable speed control 1/8 turn counter clockwise. *See Figure 3.*

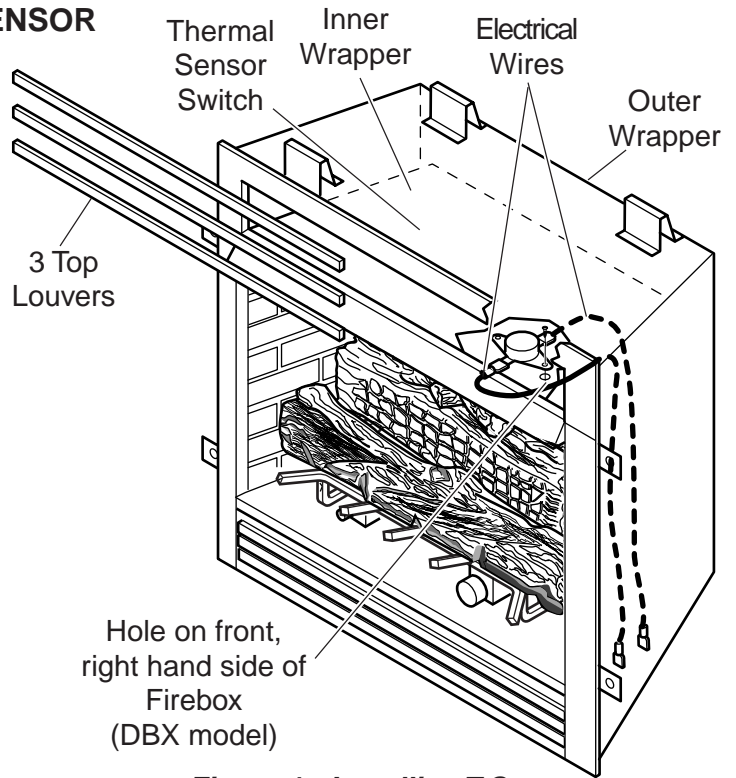


Figure 1 - Installing T-Stat

This will minimize the possibilities the blower motor will stall at the low speed setting as the fireplace cycles on and off. Retest the blower.

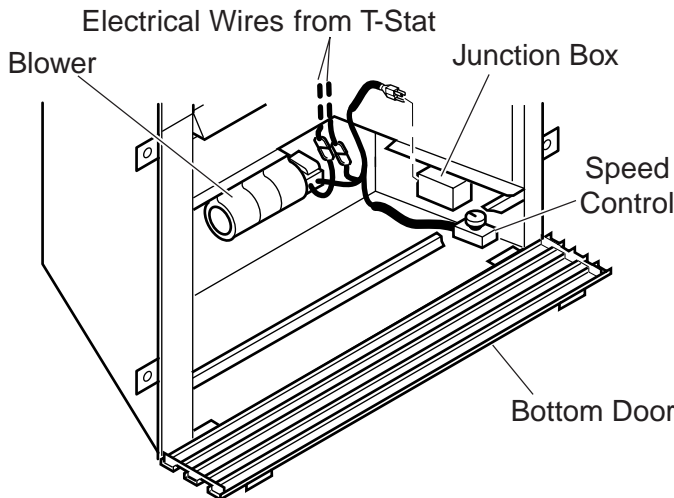


Figure 2 - Attaching T-Stat Wires to Blower

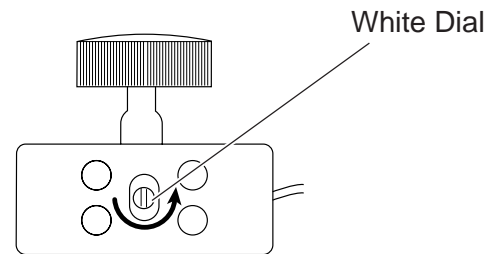


Figure 3 - Location of White Dial on Speed Control

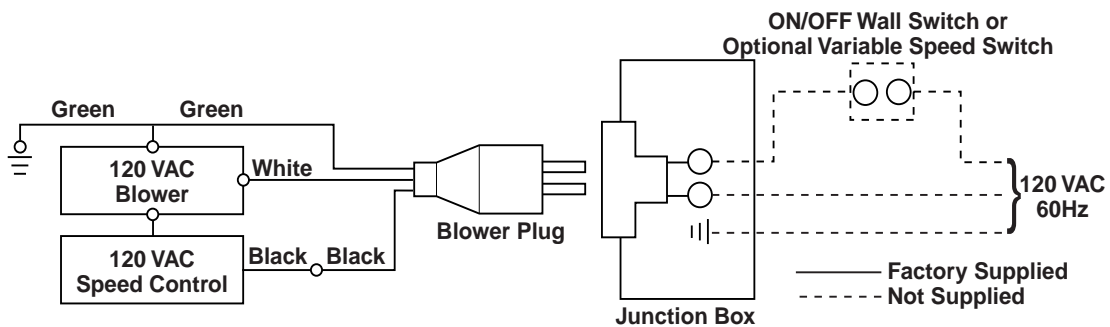


Figure 4 - Wiring Diagram