

# MHS

## DIRECT VENT TERMINATION KIT INSTALLATION INSTRUCTIONS

The following termination kits can only be used with MHS Direct Vent fireplaces. Please check and verify your fireplace model number.

### CONTENTS OF KITS

<b>BHRTK-Rigid Horizontal Kit</b>	
ITEMS	QTY.
Termination Cap	1
Firestop, 1 inch, 7in Diameter	1
Adjustable Pipe	1
Screw (#8 x 3/4")	4
Screw (#8 x 1/2"-self drilling)	3
Screw (#8 x 3")	4

<b>BHTK-Horizontal Termination Cap</b>	
ITEMS	QTY.
Termination Cap	1
Firestop, 1 inch	1
Screw (#8 x 3/4")	4
Screw (#8 x 1/2"-self drilling)	3
Screw (#8 x 3")	4

<b>BHSTK-Rigid Corner Termination Kit</b>	
ITEMS	QTY.
Termination Cap	1
Firestop, 1 inch, 7in Diameter	1
Firestop, 3 in., 7in Diameter	1
Adjustable Pipe	1
90° Elbow	1
Screw (#8 x 3/4")	4
Screw (#8 x 1/2"-self drilling)	3
Screw (#8 x 3")	4

<b>BHSFTK-Flex Horizontal Termination Kit</b>	
ITEMS	QTY.
Termination Cap	1
Firestop, 1 in, 7-1/4 in Diameter	1
Firestop, 3 in, 7-1/4 in Diameter	1
Flex Adaptor	1
Flex 4"	1
Flex 7"	1
Clamp 4"	1
Clamp 7"	2
Spring & Retainer Assy.	1
Screw (#8 x 3/4")	4
Screw (#8 x 1/2"-self drilling)	3
Screw (#8 x 3")	4

### CAUTION

All MHS Direct Vent fireplaces have been tested and approved to ANSI standards and will operate safely when installed in accordance with this instruction manual. Read all instructions before starting installation, then follow these instructions carefully to maximize fireplace performance and safety. Report damaged parts to your dealer.

### WARNING

Any common venting of this gas appliance with other gas appliances is not allowed. Do not connect this appliance to a chimney flue servicing a separate solid fuel-burning appliance.

### WARNING

Always maintain minimum clearances around vent systems. The minimum clearance to combustibles for horizontal runs is 3 inches at the top and 1 inch at the sides and bottom of the vent system until the vent penetrates the outside wall, at which one inch (1") minimum clearance shall be maintained all around the vent. **FOR VERTICAL RUNS ONLY**, maintain a 1-inch minimum clearance to all sides. Do not pack the open air spaces around the fireplace or flue with insulation or other materials. Any horizontal run must have a 1/4" rise for every one (1) foot of run towards the vent termination. Never run the vent level or downward.

## WARNING

**Failure to follow these instructions may create a possible fire hazard and will void the warranty.**

### IMPORTANT SAFETY INFORMATION:

- The termination cap **MUST** be vented directly to the outside. The termination kit **MUST NEVER** be connected to a chimney flue(s) servicing a separate solid-fuel burning appliance or any other appliances.
- Termination cap **MUST NOT** be recessed into a wall (see figure below).
- The flexible vent pipe cannot be intermingled with any of the rigid vent pipe section. **DO NOT** connect two sections of flexible vent pipe together to achieve a longer length.
- The installation must conform with local codes or in the absence of local codes, with the National Fuel Gas Code, ANSI Z223.1 (in the United States) or with the current installation code CAN/CGA - B149 (in Canada).
- These models are approved to use Simpson-Duravent 4 X 6-5/8 Direct Vent Pipe Components and MHS termination kits. **No other venting systems or components may be used.** See **PARTS LIST / ILLUSTRATIONS** section for a list of approved vent components.
- Horizontal runs must be supported every 3 feet using wall straps. Vertical runs must be supported every 8 feet using wall straps. Slip wall straps loosely on to pipe. Attach straps to framing members using nails or screws. Tighten nut/bolt to secure pipe.
- The fireplace and venting system should be inspected before initial use and at least annually by a qualified field service person. Inspect the external vent cap on a regular basis to make sure that no debris is interfering with the airflow. Inspect entire venting system to ensure proper function.

### PRE-INSTALLATION INFORMATION:

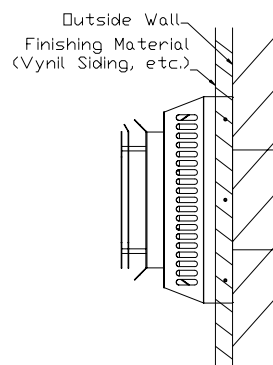
#### Items Required For Installations:

##### **Tools:**

Phillips Screwdriver  
Hammer  
Saw and / or saber saw  
Level  
Measuring Tape  
Electric Drill and Bits  
Pliers  
Square

##### **Building Supplies:**

Framing Materials  
Wall Finishing Materials  
Caulking Material (Noncombustible)



#### Before You Start:

Plan your installation. Set unit in place and survey how best to vent the unit. Select the appropriate termination kit and vent pipe for the installation. Read these instructions and the fireplace installation manual before installing unit and vent system. After vent configuration has been decided, begin attaching pipe to unit.

## WARNING

**Refer to your fireplace homeowner's manual for the minimum and maximum venting requirements of your fireplace prior to installation. Failure to do so may cause fire hazard.**

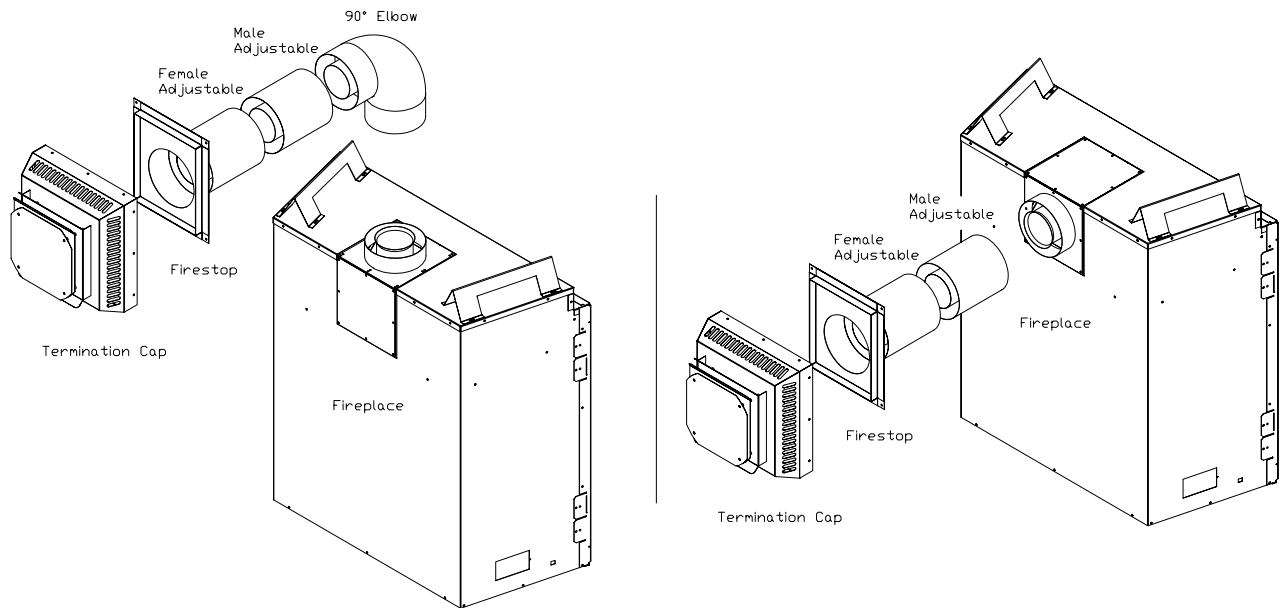
## WARNING

**Any horizontal run must have a 1/4" rise for every one (1) foot of run towards the vent termination. Never allow the vent pipe to run downward. This could cause high temperatures and may present a fire hazard.**

## WARNING

**Termination cap must be positioned so that the embossed arrow is pointed up.**

## BHSTK/BHRTK-HORIZONTAL TERMINATION KIT INSTALLATION:



**BHSTK**

**BHRTK**

**Figure 1: Installation of Horizontal Termination Kit**

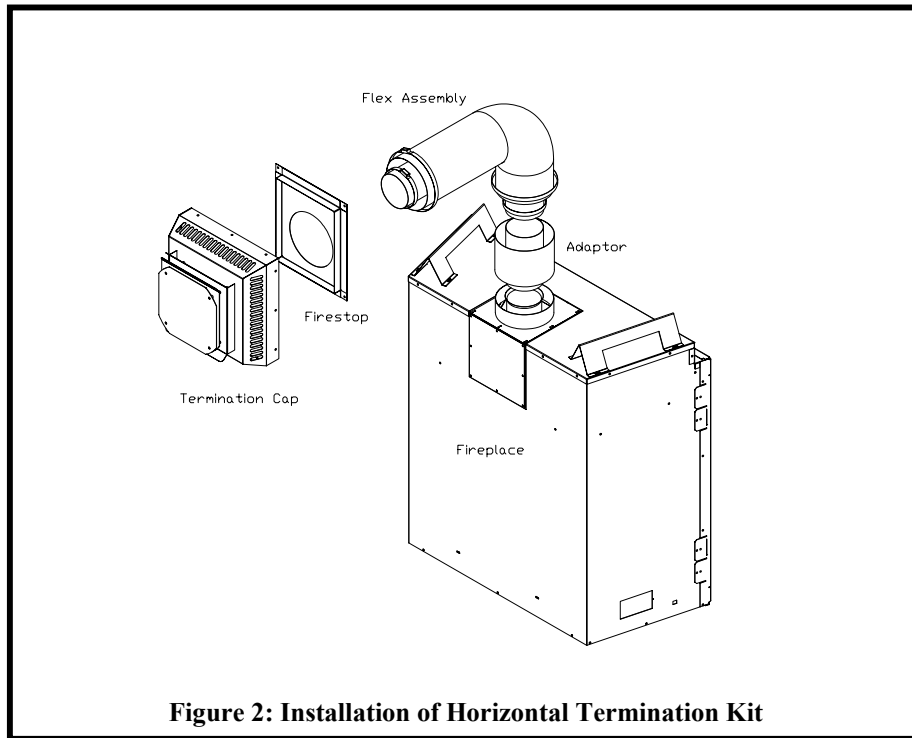
## HORIZONTAL TERMINATION KIT INSTALLATION:

### Step-By-Step Installation

1. a) BHSTK-Attach the 90 deg elbow to the pipe connector. Nest the four (4) indentations on the female end of the 90 deg elbow into the slots of the pipe connector and then twist the pipe together.  
b) BHRTK-Attach the adjustable pipe to the pipe connector. Nest the four (4) indentations on the female end of the adjustable pipe into the slots of the pipe connector and then twist the pipe together (see step 2 for further instructions).
2. During shipping, the female and male adjustable are connected together. In some installations, you may want to separate pipe sections and use only the male adjustable section (for instances in which the adjustable pipe is too long for installation).
3. A wall firestop **MUST BE** installed if the vent passes through a wall or ceiling. Cut a 9-1/2" wide X 9-1/2" high opening through the wall or framing. The framing members may need to be reinforced. A wall firestop must be installed to interior walls. Position the firestop on the hole previously cut and secure with screws or nails (not provided). Run vent pipe through firestop.
4. Attach and secure the termination to the last section of the adjustable pipe. Make sure the termination cap is installed with the embossed arrow pointing up. The termination cap slides onto the end of the vent pipe with at least 1-1/2" overlap and is fastened with a minimum of three (3) screws. Drive these screws through the outer pipe of the termination cap and through the outer pipe of the last vent pipe section.
5. If the house has vinyl siding, mark and cut the vinyl siding around the pipe so that the termination cap can be mounted flush to the wall. Finish the siding edges with trim or "J channel" and caulking to prevent water from leaking into the building (see Figure 3).
6. Attach the termination cap to the exterior wall using the four (4) screws provided.

Note: You may use the BHTK for corner installations. You may also use the BHTK off the rear of the unit with a 45° elbow (p/n 945) and proper length of pipe(s). (See appropriate venting charts in appliance installation manual)

## **BHSFTK– HORIZONTAL TERMINATION KIT INSTALLATION:**



**Figure 2: Installation of Horizontal Termination Kit**

### **WARNING**

Refer to your fireplace homeowner's manual for the minimum and maximum venting requirement of your fireplace prior to installation. Failure to do so may cause fire hazard.

### **WARNING**

This flexible pipe termination kit is **ONLY** for horizontal terminations with one 90 deg bend.

### **WARNING**

The termination must be positioned so that the embossed arrow is pointed up.

### **WARNING**

Any horizontal run of flexible vent pipe must have a 1/4" rise for every one (1) foot of run towards the vent termination. Never allow the flexible vent pipe to run level or downward. This could cause high temperatures and may present a fire hazard.

### **Step-By-Step Installation**

1. Attached the flex adaptor to the pipe connector located inside the fireplace. Firmly seat the flex adaptor to the fireplace collar.
2. Secure the open (non-collar) end to the adaptor with the 4" hose clamp. Maintain a minimum 1-1/4" overlap and do not over tighten. Stretch the 4" aluminum flexible liner to a sufficient length to reach the finished outside wall.
3. Position and tighten the spring bracket at the center of the 90 deg bend (if any).
4. Slide the 7" outer liner over the inner liner and spring bracket. Secure to the flex adaptor with one (1) 7" hose clamp. Maintain a minimum 1-1/4" overlap and do not over tighten. The spring bracket must properly center the 4" inner pipe and keep the inside and outside sections separated from one another.

5. A wall firestop **MUST BE** installed if the vent passes through an interior wall, ceiling, or exterior wall. Cut a 9-1/2" wide X 11-1/2" high opening for an interior wall. The framing members may need to be reinforced. Position the firestop and secure with screws or nails (not provided). Run vent pipe through firestop. Exterior wall firestops may be cut to 9-1/2" x 9 1/2".
6. The termination cap may penetrate the wall firestop from the exterior of the building. Make sure the termination cap is installed with the arrow pointing up.
7. Fully insert the 4" diameter collar of the inner liner to the pipe of the termination cap and secure with self-drilling screw. Slide the 7" outer liner over the termination outer pipe and secure with remaining 7" hose clamp. Maintain a minimum 1-1/4" overlap and do not over tighten. Make sure the termination cap is mounted flush to the wall.
7. If the house has vinyl siding, mark and cut the vinyl siding around the pipe centerline so that the termination cap can be mounted flush to the wall. Finish the edges of the siding with trim or "J channel" and caulking to prevent water from leaking into the building.
8. Attach the termination cap to the exterior wall using four (4) screws provided.

**BHTK – HORIZONTAL TERMINATION KIT INSTALLATION:**

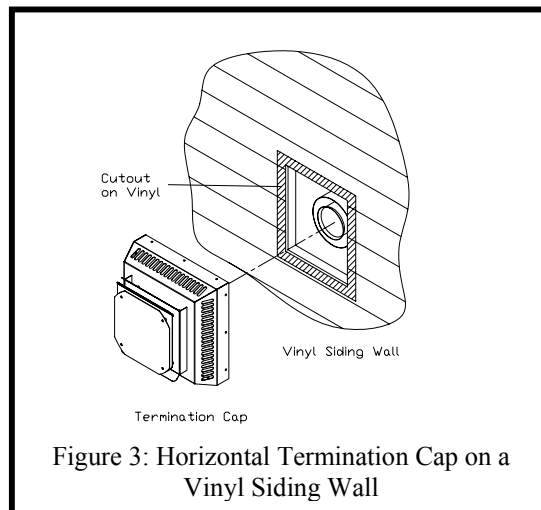


Figure 3: Horizontal Termination Cap on a Vinyl Siding Wall

**WARNING**

**Termination cap must be positioned so that the embossed arrow is pointed up.**

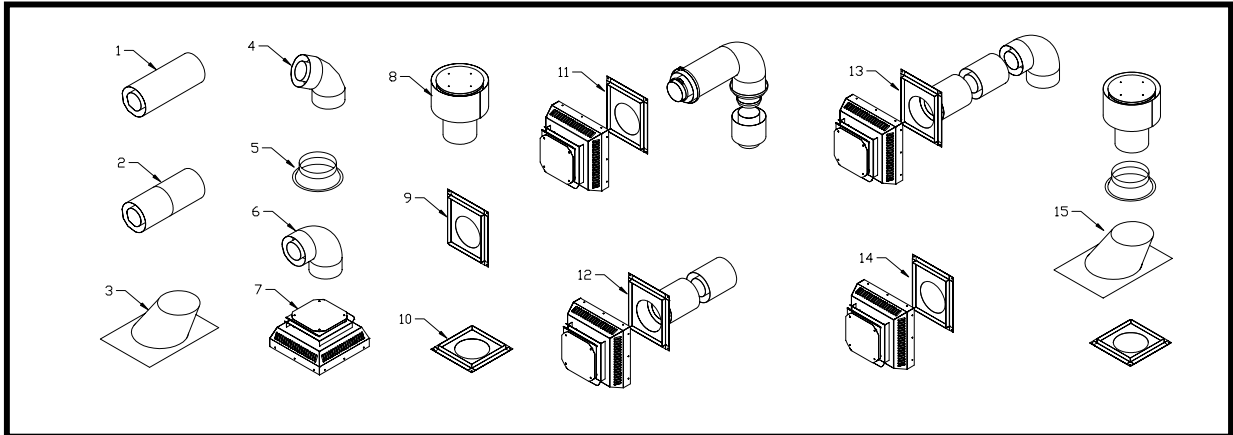
**NOTE**

**This termination kit can be used with existing Simpson Duravent pipe if the vent system is horizontally terminated**

**Step-By-Step Installation**

1. A wall firestop **MUST BE** installed if the vent passes through a wall or ceiling. Cut a 9-1/2" wide X 9-1/2" high opening through the exterior wall or framing. The framing members may need to be reinforced. Position the firestop on the hole previously cut and secure with screws or nails (not provided). Run vent pipe through firestop.
2. The termination cap may pass through the wall firestop from the exterior of the building. Make sure the termination cap is installed with the arrow pointing up. The termination cap slides onto the last vent section with at least of 1-1/2" overlap and is fastened with a minimum of three (3) screws. Drive these screws through the outer pipe of the termination cap and through the outer pipe of the last vent pipe section.
3. If the house has vinyl siding, mark and cut the vinyl siding around the pipe so that the termination cap can be mounted flush to the wall. Finish the edges of the siding with trim or "J channel" and caulking to prevent water from leaking into the building.
4. Attach the termination cap to the exterior wall using four (4) screws provided.

**APROVED VENTING COMPONENTS:**



Item	Simpson Duravent or Monessen P/N	Description	UOM
1	902	48" Pipe Length	carton (6)
1	903	36" Pipe Length	carton (6)
1	904	24" Pipe Length	carton (6)
1	906	12" Pipe Length	carton (6)
1	907	9" Pipe Length	carton (6)
1	908	6" Pipe Length	carton (6)
2	911	11" to 14 5/8" Pipe, Adjustable	carton (6)
2	917	17" to 24" Pipe, Adjustable	carton (6)
3	943	Flashing, 0/12 to 6/12 Roof Pitch	carton (6)
4	945	45° Elbow	carton (6)
4	945G	45° Swivel Elbow	carton (6)
5	953	Storm Collar	carton (6)
6	990	90° Elbow	carton (6)
6	990G	90° Swivel Elbow	carton (6)
7	55D0001	Termination Assembly, Horizontal	each
8	55D0020	Termination Assembly, Vertical	each
9	55D0038	Firestop Assembly, Horizontal (Rigid)	each
10	55D0039	Firestop Assembly, Vertical Run (Rigid)	each
9	55D0046	Firestop Assembly, Horizontal (Flex)	each
10	55D0047	Firestop Assembly, Vertical Run (Flex)	each
11	BHFTK	Horizontal Termination Kit (flex) w/Firestop, Adaptor, and Flex Assembly	each
12	BHRTK	Horizontal Termination Kit w/Firestop and Adjustable Pipe	each
13	BHSTK	Horizontal Termination Kit w/Firestop, adjustable pipe, and 90° elbow	each
14	BHTK	Horizontal Termination Kit (w/ Firestop)	each
15	BVTK	Vertical Termination Kit w/Firestop, Flashing, and Storm Collar	each

For information about this installation, contact:

**Technical Services**  
**MHS**  
**149 Cleveland Drive**  
**Paris, Kentucky 40361**