

# MONESSEN HEARTH SYSTEMS

149 Cleveland Drive • Paris, Kentucky 40361

## DESIGNER FACINGS - ARCH FACE INSTALLATION INSTRUCTIONS

FACE WILL FIT MONESSEN DFS SERIES VENT-FREE FIREPLACE SYSTEMS

*IMPORTANT:* Read entire instruction sheet before assembling or installing arch face

**WARNING**

It is recommended that a 50% vinegar and water solution be used to clean the gold and pewter facings while the unit is turned off and cooled. Any fingerprints that are on the facings before the unit is turned on will permanently damage the surface if not cleaned prior to operation.

**WARNING**

Before installing the face, turn off the fireplace and allow to cool. Only a qualified service person should service and repair the fireplace. A qualified service person should connect and disconnect the fireplace to gas supply. Follow all local codes.

Arch Face packaging contains:

**QTY. Description**

|   |  |
|---|--|
| 1 | Arch Face  |
| 2 | Long self-drilling screws (#10 x 2")                       |
| 2 | "L" brackets (used on plated faces only)                   |
| 2 | Small self-drilling screws and assortment of hinge spacers |
| 1 | Lower control door   |
| 7 | Self-threading screws (#8 x 3/4")                          |
| 1 | Bar Riser  |

**\*Cordless screwdriver (Phillips Bit) is needed for installation of facings.**

1. Before starting, remove all the facing components and check parts to parts list.

2. You will need to remove some components from your fireplace. The top louvers and louver brackets, the hood and the lower control door. The hood will be used when the face is installed, but the other parts can be discarded after the face is installed. (Refer to owner's manual for location of louvers and hood.)

**\*If trim is installed, then it will also need to be removed.**

3. If you do not require 3/4" space for finished material, use bar riser. Install bar riser on to the bottom of face. The bar riser will fit on the bottom of the face. (See Figure 1)

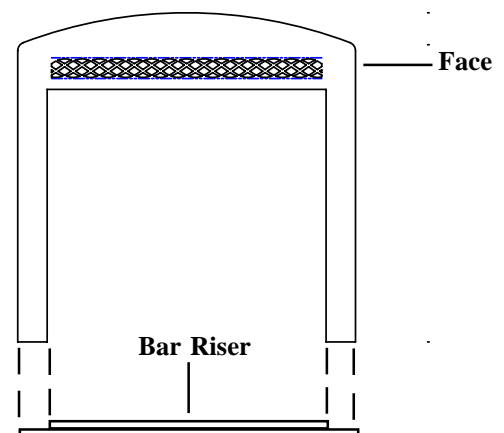


Figure 1 - Attaching bar riser to face

4. Install arch face by positioning the mounting bracket on back of the face between the fireplace side post. (Note location where you removed top louver) Using four self-drilling screws, screw through the top holes on mounting bracket and bottom holes on the legs of the arch. If installing Gold or Pewter faces, “L” Brackets are used to hide the Gold or Pewter reflective material from the front of the fireplace (See Figure 2)

5. If face is installed as a flush mount, then there is no need to measure between firebox and face. If marble or other non-combustible material is used between the firebox and facing, then measure distance between face and unit. (Max. of 7/8”)(See Figure 3)

6. Use enough “hinge spacers” to make lower door flush with face. (If marble or other non-combustible material is used, then the thickness of the marble, etc.. determines the thickness of spacers for lower control access door) (See Figure 4). Each spacer is approximately 1/16”.

7. Re-install hood.

8. Clean face with a 50% vinegar and water solution.

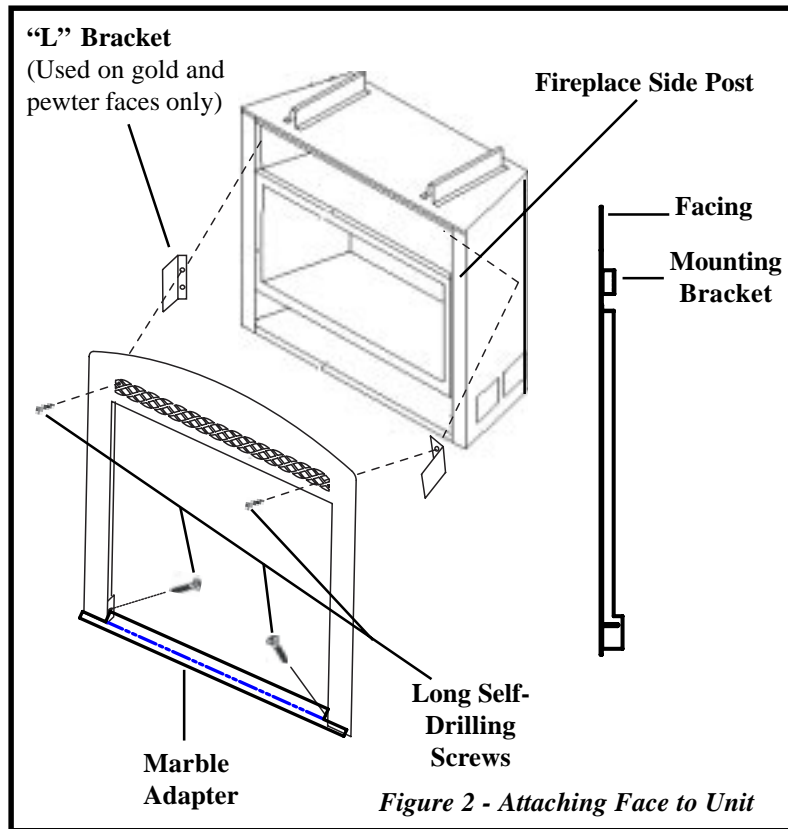


Figure 2 - Attaching Face to Unit

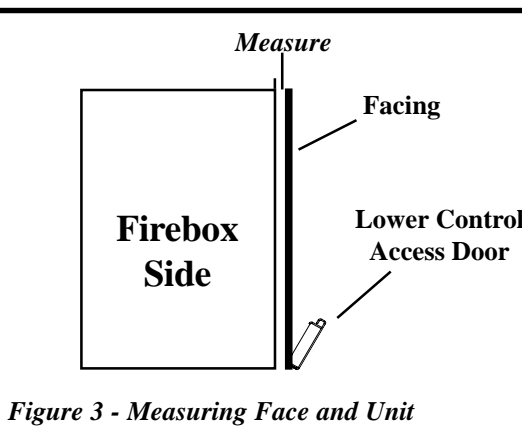


Figure 3 - Measuring Face and Unit

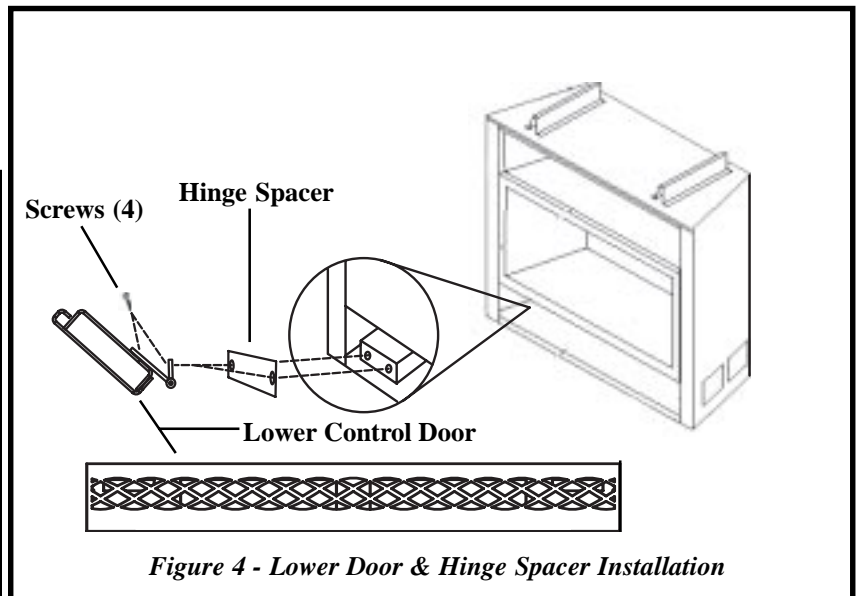


Figure 4 - Lower Door & Hinge Spacer Installation

**WARNING** It is recommended that a 50% vinegar and water solution be used to clean the gold and pewter facings while the unit is turned off and cooled. Any fingerprints that are on the facings before the unit is turned on will permanently damage the surface if not cleaned prior to operation.