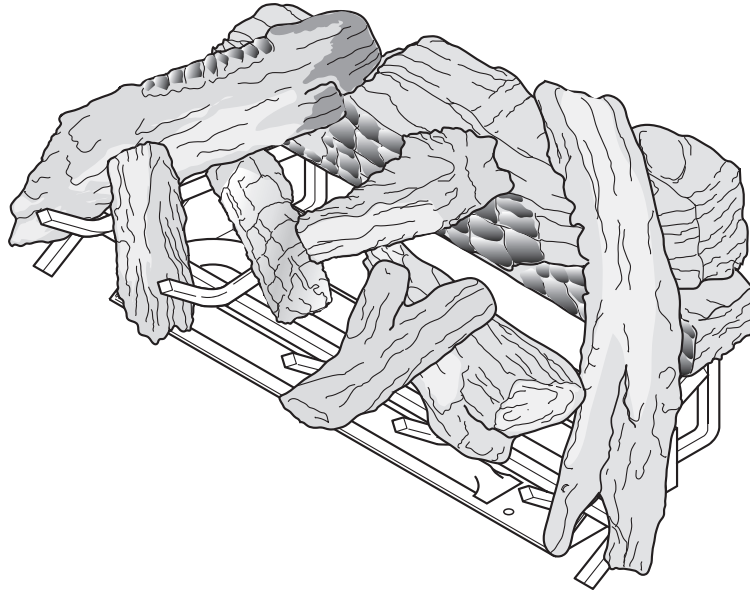


MONESSEN HEARTH SYSTEMS

VENTED GAS LOG SET INSTALLATION AND OPERATING INSTRUCTIONS



MODELS: VWF18 VWF24 VWF30 VWF36

**Natural Gas or Propane/LPG Control Type:
Manual, Milli-Volt or Hi/Lo Remote**



Approved to ANSI Z21.60

This gas log set is to be installed only in a solid-fuel burning fireplace with a working flue constructed of noncombustible material.

WARNINGS

If the information in this manual is not followed exactly, a fire or explosion may result causing property damage, personal injury or loss of life.

- Do not store or use gasoline or other flammable vapors and liquids in the vicinity of this or any other appliance.
- **WHAT TO DO IF YOU SMELL GAS**
 - Do not try to light any appliance.
 - Do not touch any electrical switch; do not use any phone in your building.
 - Immediately call your gas supplier from a neighbor's phone. Follow the gas supplier's instructions.
 - If you cannot reach your gas supplier, call the fire department.
- Installation and service must be performed by a qualified installer, service agency or the gas supplier.

READ AND SAVE THESE INSTRUCTIONS

CONTENTS

Important Safety Information	3	Operating Instructions	20
Product Specifications	4	Manual Control Lighting Instructions	20
Getting Started	5	Milli-Volt Control Lighting Instructions	21
Placement in a Fireplace with a Restrictive Barrier	6	Hi/Lo Control Lighting Instructions	22
Installation	7	Flame Appearance	23
Damper Stop Installation.....	7	Fireplace Draft Test	24
Before Installing the Appliance.....	7	Remote Control Receiver Replacement	25
Installing Valve Cover.....	8	Cleaning and Servicing	25
Wiring (Milli-volt)	9	Replacement Parts Lists	26
Connecting the Gas	10	Assembly.....	26
Manual Control.....	11	Massive Oak Logs	27
Milli-Volt Control	11	American Oak Logs	28
Hi/Lo Remote Control	11	Birch Logs	28
Log Placement	12	Split River Oak Logs	29
VWF18MO Log Placement	12	Split Pine Logs	30
VWF24MO Log Placement	13	Warranty	Back Cover
VWF30MO Log Placement	13		
VWF36MO Log Placement	14		
VWF18AO, 24AO, 30AO Log Placement	15		
VWF24/18SRO, 30/24SRO, 36/30SRO.....	17		
VWF24B Log Placement.....	16		
VWF18SPA, 24SP Log Placement	18		
VWF30SPA Log Placement	19		

IMPORTANT SAFETY INFORMATION

INSTALLER

Please leave these instructions with the owner.

OWNER

Please retain these instructions for future reference.

IMPORTANT

Read these instructions carefully before installing or trying to operate this gas log set.

WARNING

- **Any change to this appliance or its controls can be dangerous.**
- **Improper installation or use of the heater can cause serious injury or death from fire, burns, explosion or carbon monoxide poisoning.**
- **Do not allow fans to blow directly into the fireplace. Avoid any drafts that alter burner flame patterns.**
- **Do not use a blower insert, heat exchanger insert or other accessory, not approved for use with this appliance where applicable.**

1. The installation, combustion and ventilation air must conform with local codes or, in the absence of local codes, with the National Fuel Gas Code, ANSI Z223.1, or the CAN/CGA-B149 Installation code (series). This unit complies with ANSI Z21.60-2000 decorative gas appliance for installation in solid-fuel burning fireplace.
2. Installation and repair should be done by a qualified service person. Monessen Vented Gas Logs must be installed only in a masonry or a UL 127 solid-fuel fireplace with minimum venting requirements, see installation section.
3. To prevent malfunction, gas log set and flue should be cleaned at least annually by a professional service person. More frequent cleaning may be required due to excessive lint from carpeting, etc. It is imperative that control compartments, burners and circulating air passageways be kept clean.
4. **A damper clamp must be installed to provide the minimum permanent vent opening to vent flue products, Refer to installation instructions.**
5. Never burn solid fuels in a fireplace where a gas log set is installed.
6. ***This appliance must NOT be used with glass doors in the closed position.*** A fireplace screen must be in place when the log set is burning. Provisions for adequate combustion air must be provided. Adequate combustion air usually results in all flames curling into the fireplace away from the screen and up the flue.
8. Keep room area clear and free from combustible materials, gasoline and other flammable vapors and liquids.
9. Children and adults should be alerted to the hazard of high surface temperature and should stay away to avoid burns or clothing ignition.
10. Young children should be carefully supervised when they are in the same room with the gas log set in operation.
11. Do not place clothing or other flammable material near the fireplace when the gas logs are in use.
12. Do not use this gas log set if any part has been underwater. Immediately call a qualified service technician to inspect the gas logs and replace any part of the control system and any gas control which has been under water.
13. The gas log set must be isolated from the gas supply piping system by closing its individual manual shutoff valve during any pressure testing of the gas supply piping system at test pressures equal to or less than 1/2 psig (3.5kPa).
14. Secure gas log set to fireplace.
15. This log set will burn off the paint on the front grate bar.
Note: See cleaning section for refurbishing.
16. **FOR MASSACHUSETTS RESIDENTS ONLY:**

WARNING

This product must be installed by a licensed plumber or gas fitter when installed within the Commonwealth of Massachusetts.

Installation of this vented gas log in the Commonwealth of Massachusetts requires the damper be permanently removed or welded in the full open position. In addition, a naturally vented gas log may not be installed in a bedroom or bathroom in the Commonwealth of Massachusetts. Flex line installation must not exceed 36".

WARNING

This appliance is for installation only in a solid fuel burning fireplace (masonry fireplace or manufactured fireplace).

SAFETY INFORMATION



www.nficertified.org

We suggest that our gas hearth products be installed and serviced by professionals who are certified in the U.S. by the National Fireplace Institute® (NFI) as Gas Specialists.

WARNING

Never connect unit to private (non-utility) gas wells. This gas is commonly known as wellhead gas.

PRODUCT SPECIFICATIONS

MINIMUM HEARTH DIMENSIONS

MANUAL CONTROL

Model	A	B	C
VWF18	21"	13"	24"
VWF24	27"	13"	30"
VWF30	33"	13"	36"
VWF36	39"	13"	42"

MILLI-VOLT & HI/LO CONTROL

Model	A	B	C
VWF18	25"	13 ¹ / ₂ "	28"
VWF24	31"	13 ¹ / ₂ "	34"
VWF30	37"	13 ¹ / ₂ "	40"
VWF36	43"	13 ¹ / ₂ "	46"

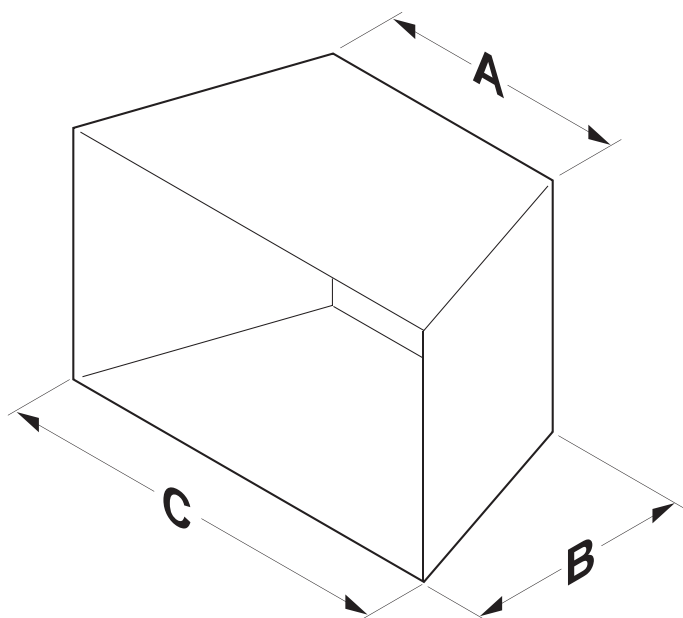


Figure 1 - Minimum Hearth Dimensions

The manifold pressure for propane is 10" WC.

The manifold pressure for natural is 4" WC.

The minimum inlet gas supply pressure is 4" WC for natural and 10" WC for LP.

The maximum inlet gas supply pressure for this log set is 10" WC for natural and 13" WC for LP.

Nominal Rates (BTU/Hr)

VWF18N/P	60,000	VWF24N	70,000	VWF30N	80,000	VWF36N	80,000
		VWF24P	60,000	VWF30P	60,000	VWF36P	60,000

Note: Actual performance, flame height, BTU/Hr will vary with specific installation, gas pressure, shutoff valve position (fully open), valve type, and firebox draft conditions.

MAKE SURE YOU HAVE RECEIVED ALL PARTS:

Check your packing list to verify that all listed parts have been received. You should have the following:

BURNER - GRATE ASSEMBLY 18, 24, 30, 36"

- Burner and Grate Weldment Assembly
- Lava Rocks (x2)
- Extenders with Knob (Manual Control Only)
- Glowing Embers (Rock Wool)
- Damper Clamp
- Vermiculite
- Installation /Operating Instructions
- 3/8" Aluminum tube with 3/8" 90° elbow, 1/2" to 3/8" tube fitting
- Control Cover
- Shield Plate

18", 24", 30" OR 36" CERAMIC FIBER OR REFRACTORY LOGS

- Individual Logs
- Installation Instructions

CAUTION	<ul style="list-style-type: none"> • Handle the gas log burner assembly by the grate only. Do not pick the unit up by the burner. Burner pan is a separate assembly. • Gloves are recommended when handling ceramic fiber logs to prevent skin irritation from loose fibers. Logs are fragile — handle with care.
----------------	---

Carefully inspect the contents for shipping damage. If any parts are missing or damaged, immediately inform the dealer from whom you purchased the appliance. **Do not attempt to install any part of the appliance unless you have all parts in good condition.**

ITEMS REQUIRED FOR INSTALLATION

Ensure that the following items are available before proceeding with installation:

- External regulator (for propane/L.P.G. only)
- Shutoff valve
- Piping which complies with local codes
- Pipe wrench
- Pipe sealant approved for use with propane/L.P.G. (Resistant to sulfur compounds)
- Drill with masonry bit (for mounting to the floor)

MINIMUM OPENING AREA OF CHIMNEY DAMPER FOR VENTING

WARNING	<p>The fireplace and gas logs function as a system. If the fireplace is not drafting properly and spilling into the room (check with a match or a smoke stick), reposition the damper clamp until a positive draft is obtained by opening the damper. If negative pressure in home prevents having a positive draft, contact your dealer for assistance.</p>
----------------	--

MINIMUM CHIMNEY HEIGHT AND FLUE OPENING

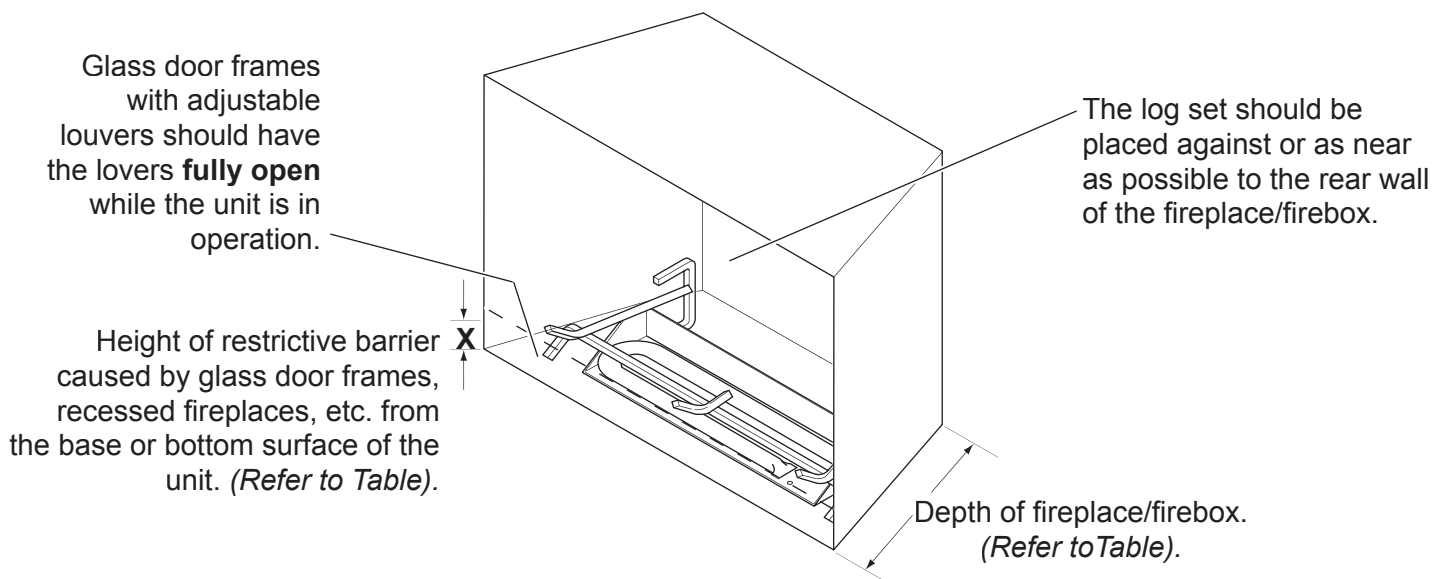
CHIMNEY HEIGHT	FLUE OPENING
6'	64 sq in
8'	64 sq in
10'	64 sq in
15'	51 sq in
20'	51 sq in
30'	51sq in

PLACEMENT IN A FIREPLACE WITH A RESTRICTIVE BARRIER

IMPORTANT INFORMATION FOR THE INSTALLATION OF THIS GAS LOG SET

The following are guidelines for placing a VWF log set in a fireplace that has a restrictive barrier along the bottom front opening of the fireplace. Some examples of barriers are glass/screen door frames and sunken/recessed fireplaces.

Height of Restriction (X)	Minimum Depth of Fireplace/Firebox
No restriction	13" Manual Control 13 ¹ / ₂ " Milli-Volt and Hi/Lo Control
0 to 1.5"	15"
Greater than 1 ¹ / ₂ " to 3"	15"
Greater than 3"	ANY BARRIER GREATER THAN THREE INCHES (3") PLACED IN FRONT OF THE GAS LOG SET IS NOT RECOMMENDED BY THE MANUFACTURER.



WARNING

Barriers such as the bottom of a glass door frame placed in front of a gas log set can change the air flow characteristics of the fireplace which in turn can cause the unit to overheat and malfunction. Any deviation from the installation guidelines on this sheet will potentially void the warranty.

NOTE: Non combustible material such as refractory brick may be used to line the floor of the fireplace in order to raise the height of the gas log set in relation to a restrictive barrier.

CAUTION

If the fireplace has a restrictive barrier and is equipped with a remote receiver, it must be placed outside or the combustion chamber. See "Installing Receiver" on page 21.

INSTALL AND OPERATE THE APPLIANCE AS DIRECTED IN THIS MANUAL.

DAMPER STOP INSTALLATION

A damper stop must be provided with the unit. The damper stop must be installed as shown in (Figure 3) to prevent full closure of the fireplace damper blade and provide a minimum flue opening, per table on page 5.

Should the clamp not fit, or provide the required permanent opening from the table, have the damper cut to provide a minimum permanent opening or install a permanent stop.

FOR MASSACHUSETTS RESIDENTS ONLY

Installation of this vented gas log set in the Commonwealth of Massachusetts requires the damper be permanently removed or welded in the fully open position. In addition, a naturally vented gas log may not be installed in a bedroom or bathroom in the Commonwealth of Massachusetts.

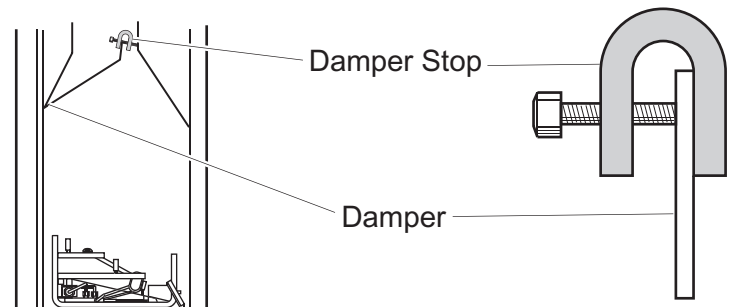


Figure 3 - Damper Stop Installation

In compliance with ANSI Z21.60•CGA2.26 and National Fuel Gas Code, Section 6.

BEFORE INSTALLING THE APPLIANCE:

- Turn off gas supply to fireplace or firebox.
- Clean the fireplace floor and chimney before installing the log set. Seal any ash clean-out doors to protect the unit from down drafts.

ASSEMBLY PROCEDURE

1. Place grate/burner assembly into firebox with the front pan facing forward.
2. Drill two (2) $\frac{5}{32}$ " diameter holes approximately $1\frac{1}{2}$ " deep.
3. Anchor the front pan to the floor using the screws provided.

Proper installation of the grate is essential to prevent any movement of the gas logs and controls during operation.

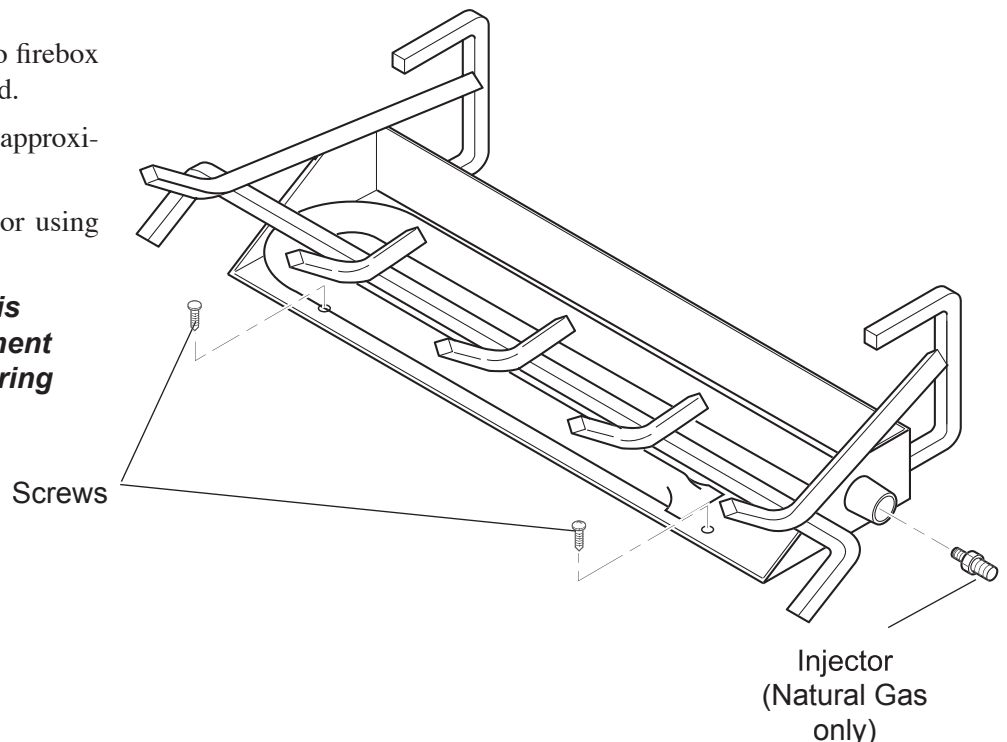


Figure 4 - Securing Grate/Burner Assembly into Firebox

INSTALLATION

INSTALLING VALVE COVER

WARNING

Covers must be installed prior to operation to prevent overheating.

NOTICE

Grate bar must not touch the valve.

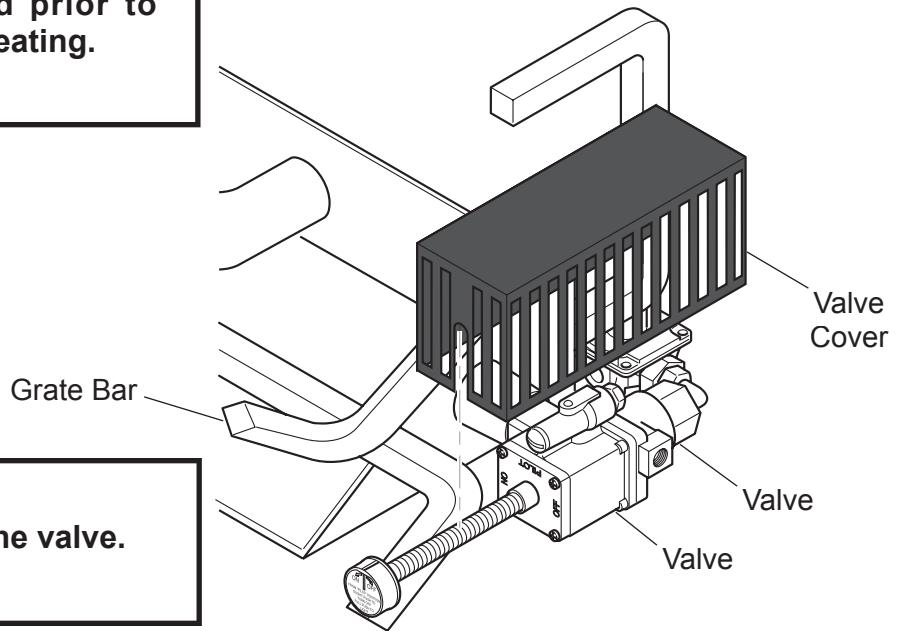


Figure 5 - Placing Cover on Manual Control

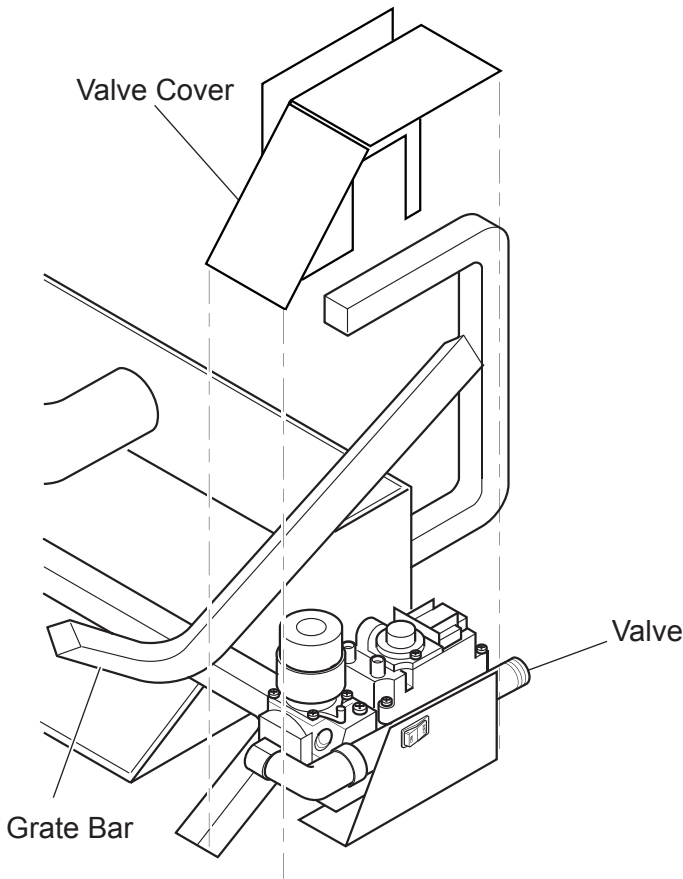


Figure 6 - Placing Cover on Milli-volt Control

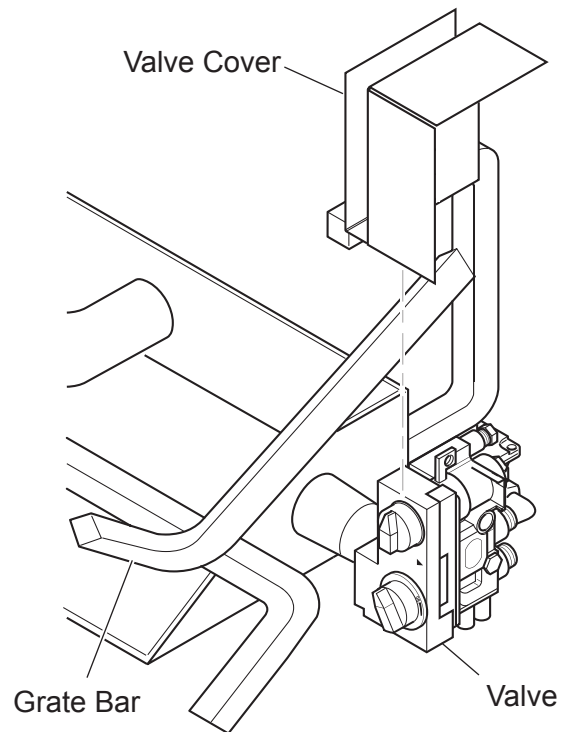


Figure 7 - Placing Cover on Hi/Lo Control

WARNING Label all wires prior to disconnection when servicing controls. Wiring errors can cause improper and dangerous operation. Verify proper operation after servicing.

WARNING Do not connect to 110 volt supply.

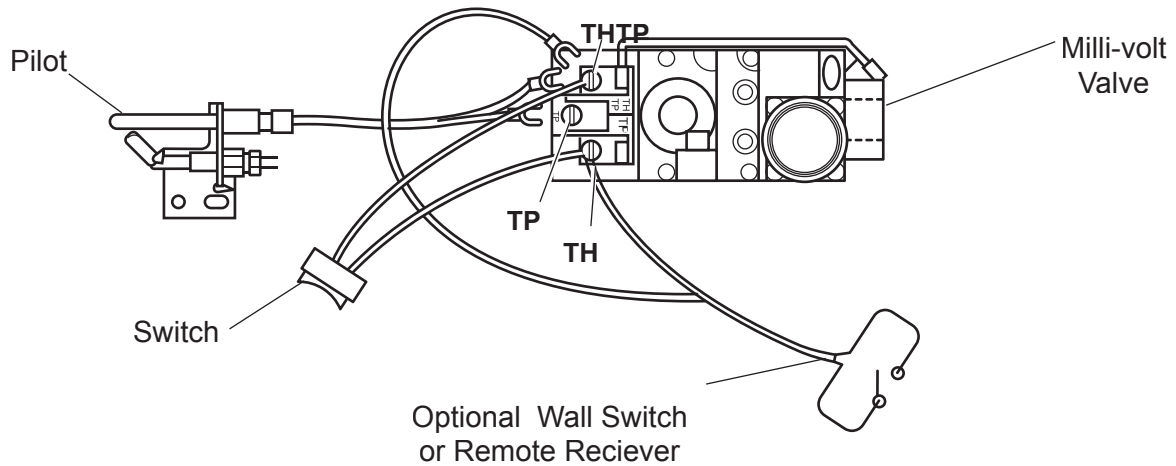


Figure 8 - Wiring Diagram

The Milli-Volt (thermopile) is a self powered combination gas control that does not require 110VAC to operate. Refer to *Figure 8* and installation instructions provided with optional wall switch or remote control for wiring instructions. A maximum length of 15 feet of 18awg two conductor wire is to be used for wall switch. Note switches must be suitable for millivolt operation. The optional wall switch and remote receiver must be mounted outside the firebox.

WARNING Keep wiring away from heat source and hot surfaces.

CHECKING SYSTEM OPERATION

The milli-volt system and individual components may be checked with a millivolt meter having a 0-1000MV range. Conduct each check shown in chart below by connection meter test leads to terminals as indicated.

CHECK TEST	TO TEST	CONNECT METER LEADS TO TERMINALS	METER READING SHOULD BE
A	COMPLETE SYSTEM	TH & THTP	CLOSED
B	THERMOPILE OUTPUT	TH & THTP	OPEN

A. COMPLETE MILLI-VOLT SYSTEM CHECK

("A" READING - THERMOSTAT CONTACTS CLOSED - CONTROL KNOB "ON" - MAIN BURNER SHOULD BE COME ON)

- a. If the reading is more than 100 millivolts and the automatic valve still does not come on - replace the control.
- b. If the closed circuit reading ("A" reading) is less than 100 millivolts, determine cause for low reading — proceed as follows:

B. THERMOPILE OUTPUT READING CHECK

("B" READING - THERMOSTAT CONTACTS OPEN - MAIN BURNER OFF)

- a. 325 millivolts minimum. If the minimum millivolt reading is not obtainable, readjust pilot for maximum millivolt output. If millivolt reading is still below minimum specified, replace thermopile.

CONNECTING THE GAS

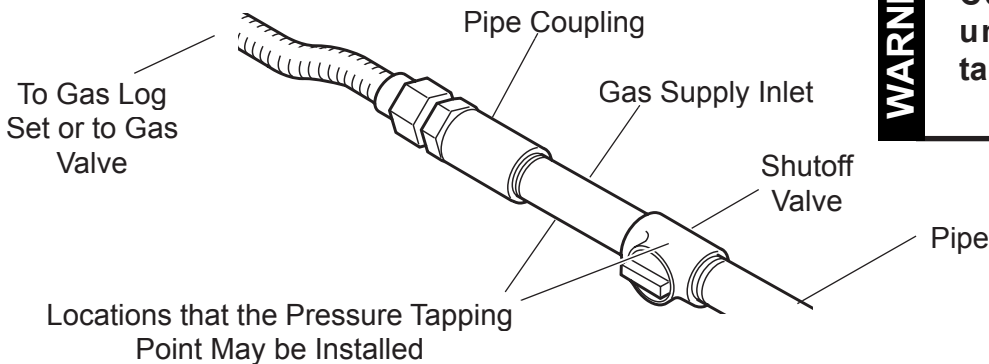
NOTICE

NOTICE: A qualified gas appliance installer must connect the appliance to the gas supply. Consult all local codes before installation.

CAUTION

Use new black iron pipe, steel pipe, copper tubing, or internally tinned copper tubing. Copper or internally tinned copper tubing can only be used according to the National Fuel Gas Code, section 2.6.3, providing gas meets sulfide limits, and where permitted by local codes. Gas piping system must be sized to provide minimum inlet pressure at the maximum flow rate (BTU/Hr). Undue pressure loss will occur if the pipe is too small.

A manual shutoff valve must be installed upstream of the appliance. Union tee and plugged 1/8" NPT pressure tapping point should be installed upstream of the appliance. See *Figure 9*.



WARNING

Connecting directly to an unregulated propane/LPG tank can cause an explosion.

Figure 9 - Gas Connection

IMPORTANT: Hold appliance firmly with a wrench to prevent movement when connecting to inlet piping.

Always use an external regulator for all propane/LPG gas logs only, to reduce the supply tank pressure to a maximum of 13" w.c. High pressure natural gas systems require a regulator to reduce supply pressure to 10" W.C.

CONNECTING THE GAS

The gas log set gas inlet connection is 3/8" NPT at the regulator, inlet on the right side facing the gas log. If a left side connection is required, the connecting pipe may be led under the rear of the gas logs or behind the grate for connection to the inlet.

Test all gas joints from the gas meter to the appliance regulator for leaks using a gas analyzer or soap and water solution after completing connection. **DO NOT USE AN OPEN FLAME.**

Check the gas pressure with the appliance burning.

MANUAL CONTROL (Figure 10)

The pressure regulator is preset and locked to discourage tampering. If the pressure is not as specified, replace with the correct part from the parts list in this manual.

Remove 1/8" NPT plug, located on side of regulator body. Install fitting and tubing to pressure gauge. After taking pressure reading, re-install test plug, which should be checked at the pressure test point. Check for gas leaks.

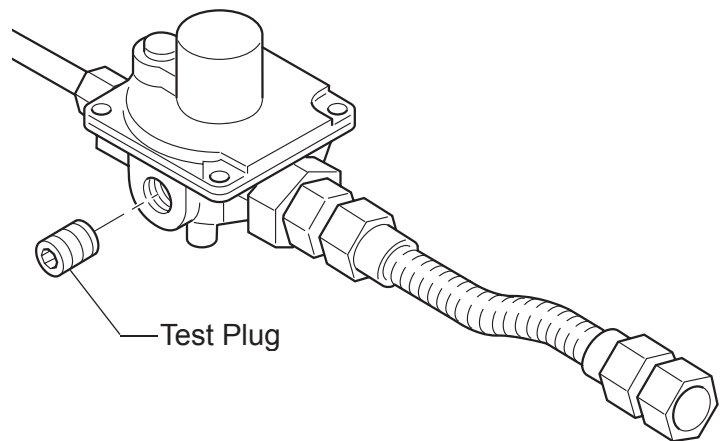


Figure 10 - Pressure Test Point Location

MILLI-VOLT CONTROL (Figure 11)

The valve regulator controls the burner pressure which should be checked at the pressure test point. Turn captured screw counter clockwise 2 or 3 turns and then place tubing to pressure gauge over test point (Use test port labeled "OUT"). After taking pressure reading, be sure and turn captured screw clockwise firmly to re-seal. Do not over torque. Check for gas leaks.

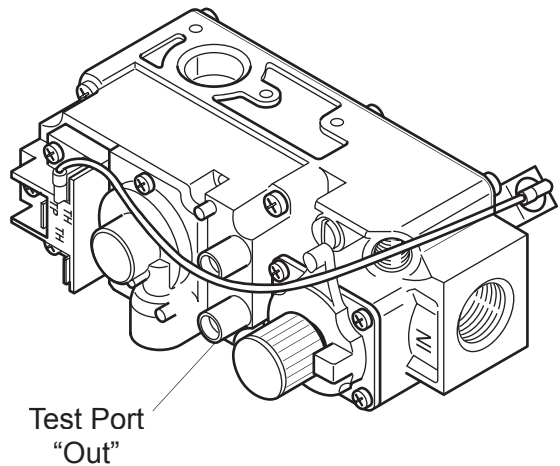


Figure 11 - Pressure Test Point Location

HI/LO REMOTE CONTROL (Figure 12)

Turn captured screw counter clockwise two or three turns. (The port is labeled **↑**) Place tubing to pressure gauge over test point. After taking pressure reading, be sure to turn captured screw clockwise firmly to re-seal. Do not over torque. Check for gas leaks.

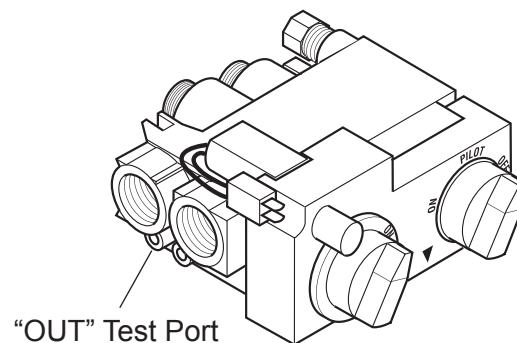


Figure 12 - Pressure Test Point Location
Hi/Lo Remote Control

LOG PLACEMENT

FILLING THE BURNER PAN

Fill the burner pan with vermiculite to the bottom of the rear log and sloped to the front edge of the burner pan. Excess vermiculite can spill forward or to the side of the burner pan. Do not overfill the propane model. Do not cover the pilot (if SPK or MVVK is installed) with vermiculite or rock wool (embers).

PLACEMENT OF GLOWING EMBERS (ROCK WOOL)

The Wildfire flame appearance can vary due to differences in draft and fireplace configurations and ember placement. After installing rear (#1) and front logs (#2 and #3), cover the entire top surface of the vermiculite in the burner pan with the rock wool supplied with unit. Tear the rock wool into pieces approximately 1/2" in size (roughly the size of a nickel) and cover the burner evenly. Do not use more rock wool than the amount supplied with the unit. To enhance the appearance of the Wildfire flame, it is recommended to form a mound of rock wool in the center of the burner, 2" to 3" high, visible through the two front logs.

PLACEMENT OF DECORATIVE VOLCANIC ROCK

Sprinkle volcanic rock in front of front glowing embers and to both sides.

DO NOT SPRINKLE ON BURNERS, EMBER BED, PILOT OR LOGS.

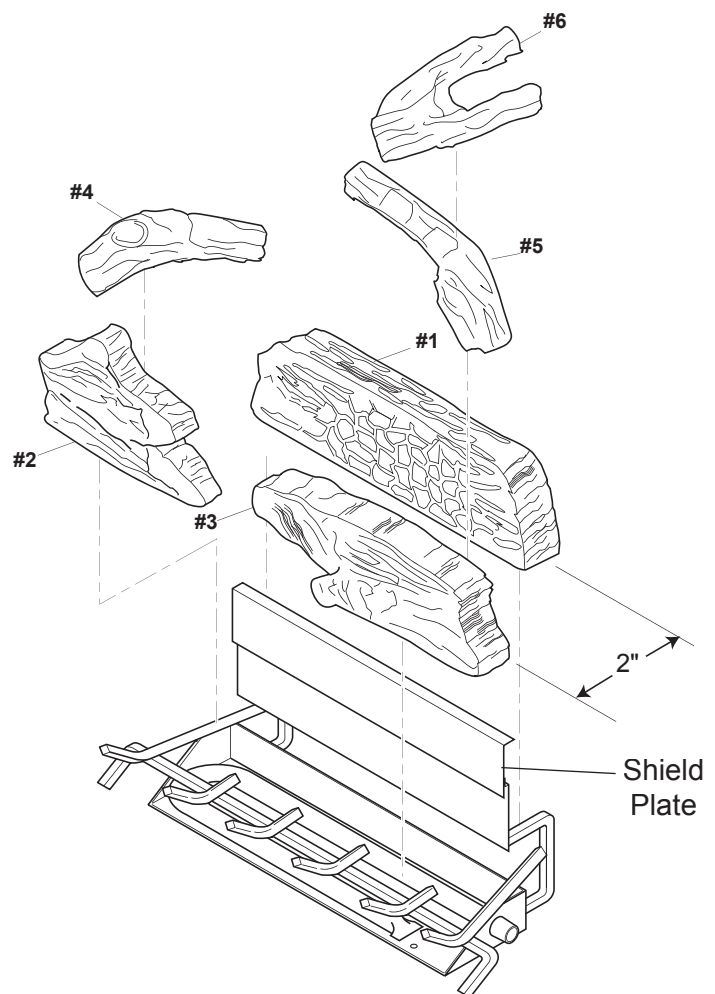
IMPORTANT: Do not handle logs with your bare hands! Always wear gloves to prevent skin irritation from ceramic fibers. After handling logs, wash your hands gently with soap and water to remove any traces of fibers.

VWF18MO LOG PLACEMENT (6 Logs)

1. Slide shield plate down back of burner pan. *See Figure 13.*
2. Center rear log #1 on grate bars and flush with rear of the grate. *See Figure 13.*
3. Place front left log #2 on the front of the plate and to the left. *See Figure 13.*
4. Place front right log #3 on the front of the plate and to the right. *See Figure 13.*

NOTE: Allow 2" between the back log and the two front logs.

5. Install left crossover log #4 as shown. *See Figure 13.*
6. Install right crossover log #5 as shown. *See Figure 13.*
7. Install top log #6 as shown. *See Figure 13.*



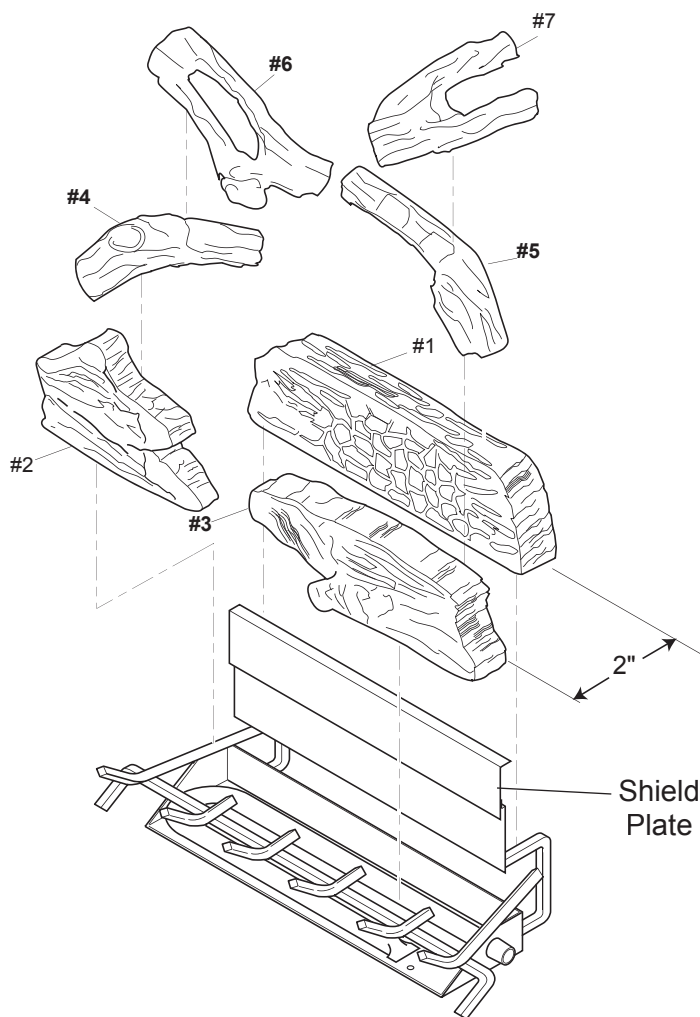
**Figure 13 - VWF18MO (Massive Oak)
Log Placement**

VWF24MO LOG PLACEMENT (7 Logs)

1. Slide shield plate down back of burner pan. See Figure 14.
2. Center rear log #1 on grate bars and flush with rear of the grate. See Figure 14.
3. Place front left log #2 on the front of the plate and to the left. See Figure 14.
4. Place front right log #3 on the front of the plate and to the right. See Figure 14.

NOTE: Allow 2" between the back log and the two front logs.

5. Install left log #4 as shown. See Figure 14.
6. Install right top log #5 as shown. See Figure 14.
7. Install left top log #6 as shown. See Figure 14.
8. Install top crossover log #7 as shown. See Figure 14.



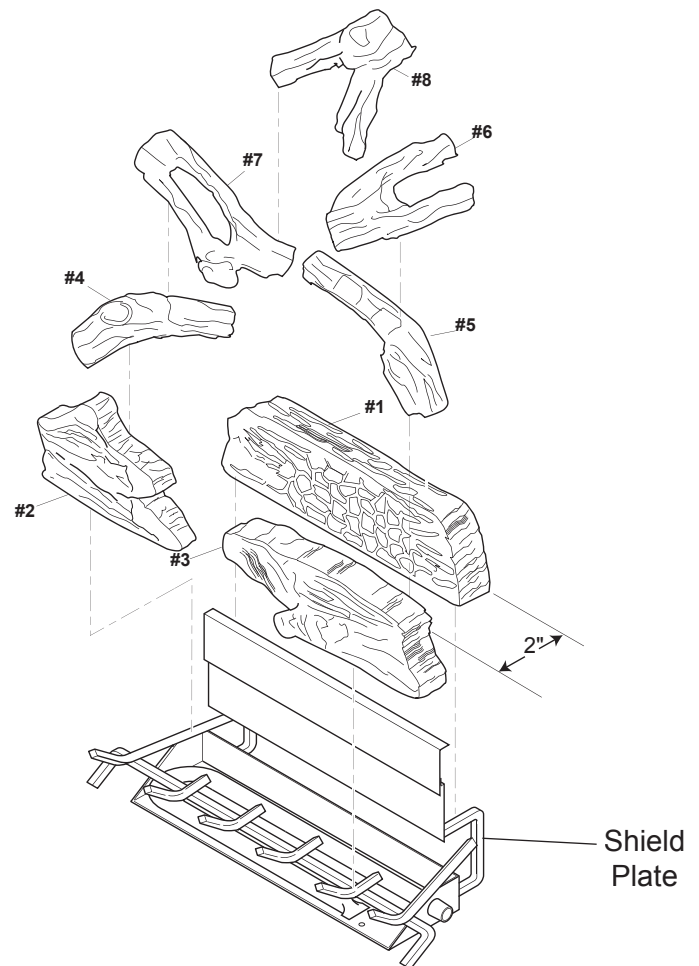
**Figure 14 - VWF24MO (Massive Oak)
Log Placement**

VWF30/36MO LOG PLACEMENT (8 Logs)

1. Slide shield plate down back of burner pan. See Figure 15.
2. Center rear log #1 on grate bars and flush with rear of the grate. See Figure 15.
3. Place front left log #2 on the front of the plate and to the left. See Figure 15
4. Place front right log #3 on the front of the plate and to the right. See Figure 15

NOTE: Allow 2" between the back log and the two front logs.

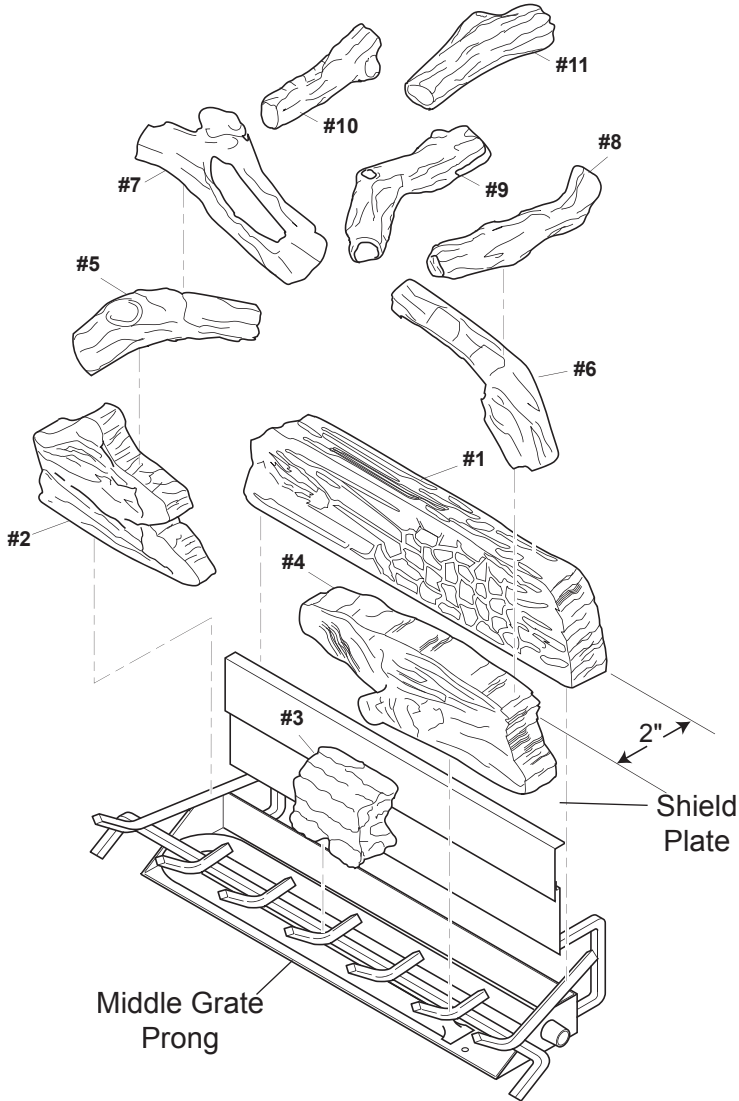
5. Install left middle log #4 as shown. See Figure 15
6. Install right middle log #5 as shown. See Figure 15
7. Install right top log #6 as shown. See Figure 15
8. Install left top log #7 as shown. See Figure 15
9. Install top crossover log #8 as shown. See Figure 15



**Figure 15 - VWF30MO (Massive Oak)
Log Placement**

LOG PLACEMENT

MODEL VWF36MO (11 LOGS)

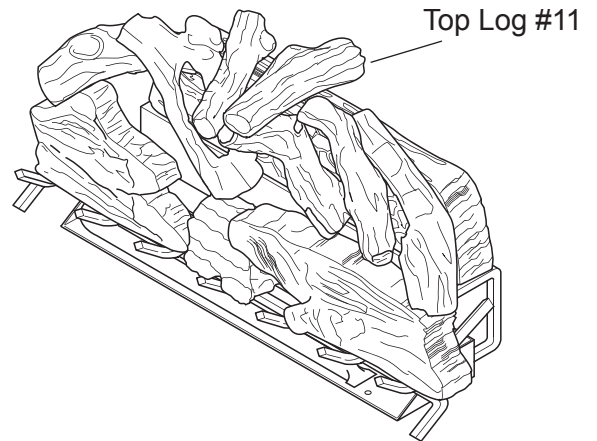


**Figure 16 - VWF36MO Log Placement
(Massive Oak)**

1. Slide shield plate down back of burner pan. See Figure 16.
2. Center rear log #1 on grate bars and flush with rear of the grate. See Figure 16.
3. Place front left log #2 in front of the plate and to the left. See Figure 16.
4. Place center front log #3 on middle grate prong. See Figure 20.
5. Place front right log #4 in front of the plate and to the right. See Figure 16.

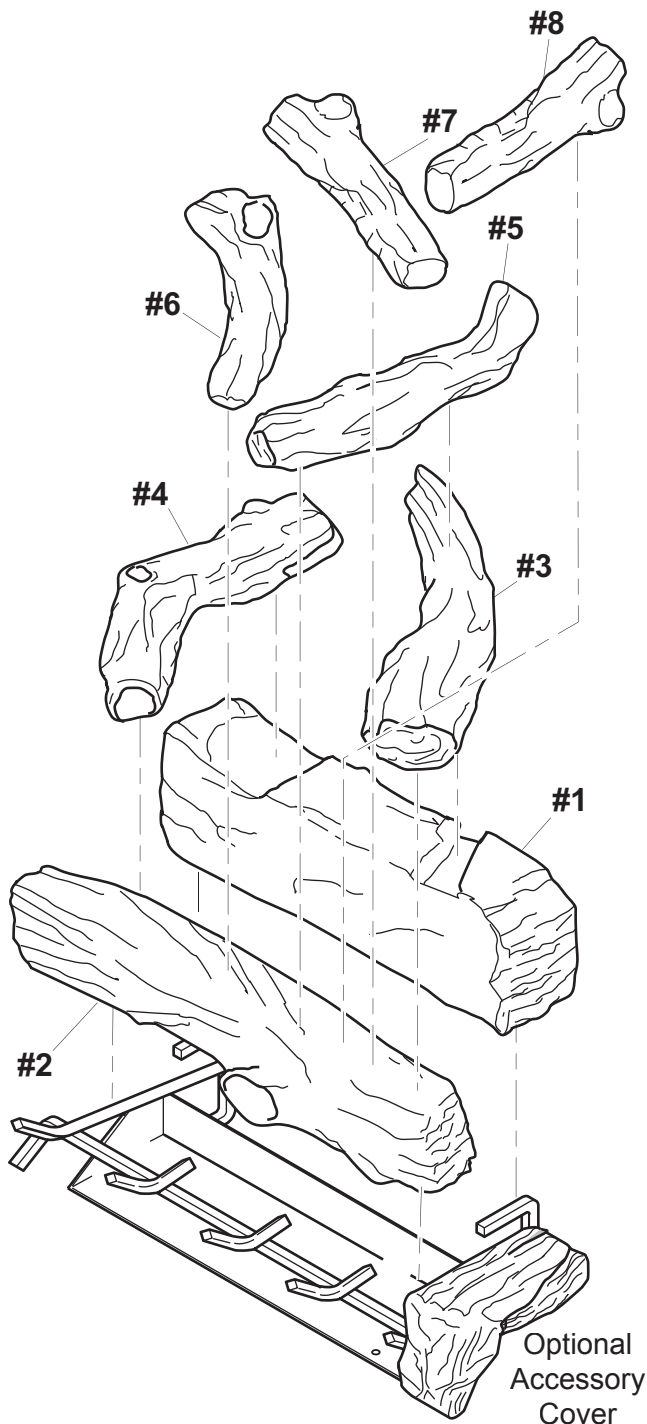
NOTE: Allow 2" between the back log and the two front logs.

6. Install left side log #5. See Figure 16.
7. Install right side log #6. See Figure 16.
8. Install right side middle log #7. See Figure 16.
9. Install top log #8. See Figure 16.
10. Install top log #9. See Figure 16.
11. Install top log #10. See Figure 16.
12. Install top left log #11. See Figure 17.



**Figure 17 - VWF36MO Log Placement
(Massive Oak)**

MODELS VWF18AO, VWF24AO AND VWF30AO (6 Logs)

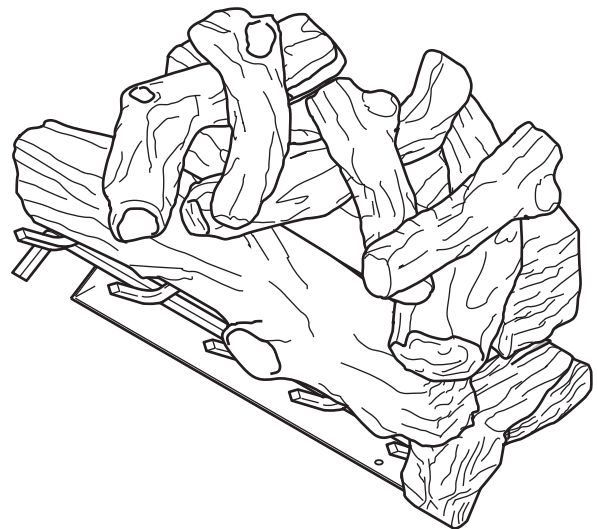


**Figure 18 - VWF18AO, VWF24AO and VWF30AO
(American Oak) Log Placement**

1. Place Back Log #1 on grate bars on back of grate. *See Figure 18.*
2. Place Front Log #2 on front of grate. *See Figure 18.*
3. Position Right Log #3 on top right of Log #1 and Log #2. Make sure back of Log #3 fits in right groove in top of Log #1. *See Figure 18.*
4. Place Left Log #4 on top left of Log #1 and Log #2. Make sure back of Log #4 fits in left groove in top of Log #1. *See Figure 18.*
5. Rest Top Right Log #5 on Log # 3 and Log #2. *See Figure 18.*
6. Rest Top Left Log #6 on Log #4 and Log #2. *See Figure 18.*

MODEL VWF30AO ONLY (8 LOGS)

7. Place Log #7 on Log #2 and Log #5. *See Figure 18.*
8. Place Log #8 on Log #3 and Log #7. *See Figure 19.*



**Figure 19 - VWF18AO, VWF24AO and VWF30AO
(American Oak) Log Placement**

LOG PLACEMENT

MODELS VWF24B (6 Logs)

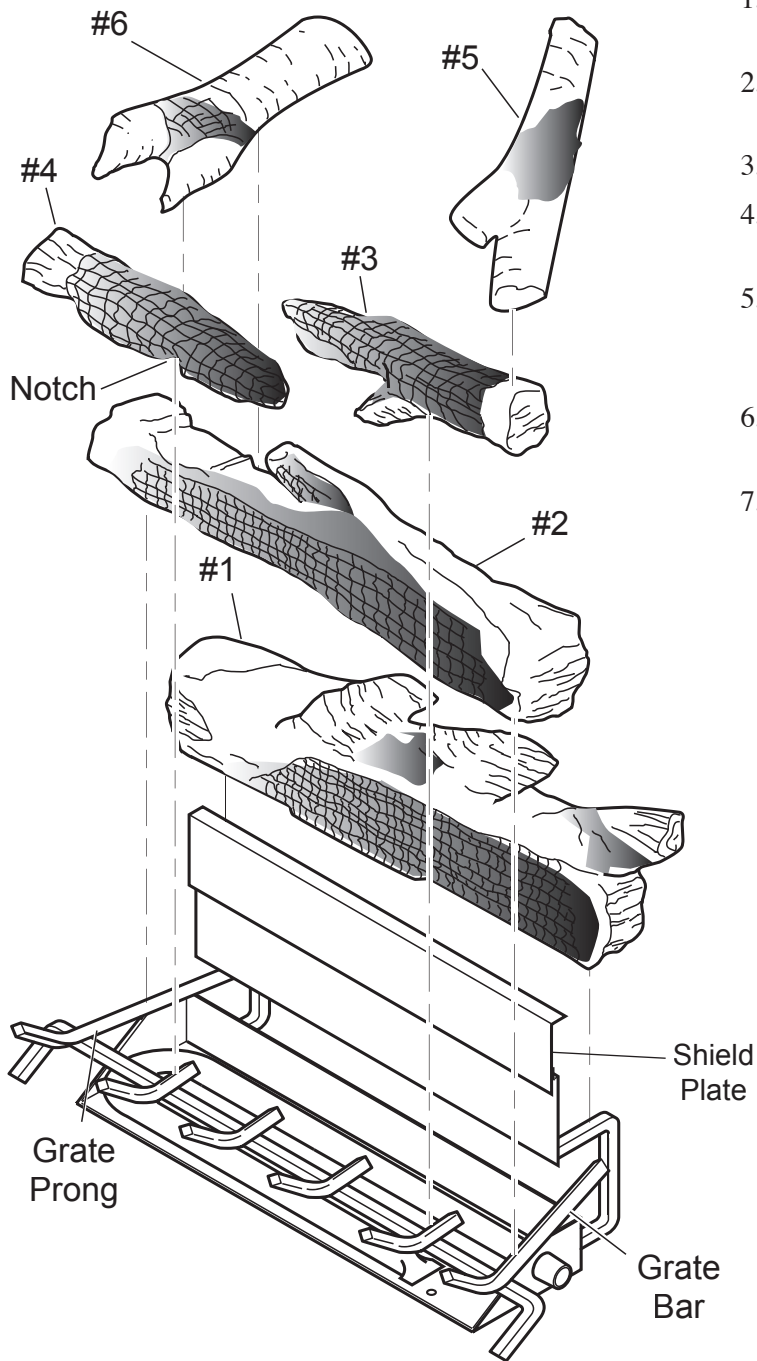


Figure 20 - VWF24B (Birch) Log Placement

1. Slide shield plate down back of burner pan. See Figure 20.
2. Place Back Log #1 on grate bars on back of grate. See Figure 20.
3. Place Middle Log #2 in front of Log #1. See Figure 20.
4. Position Right Front Log #3 on right front side of grate. See Figure 20.
5. Position Left Front Log #4 on left front side of grate. Make sure notch in bottom of log sits on grate prong. See Figure 20.
6. Rest Top Right Log #5 across top right sides of Log #1 and Log #2. See Figure 20.
7. Rest Top Left Log #6 across top left side of Log #1 and Log #2. See Figure 20.

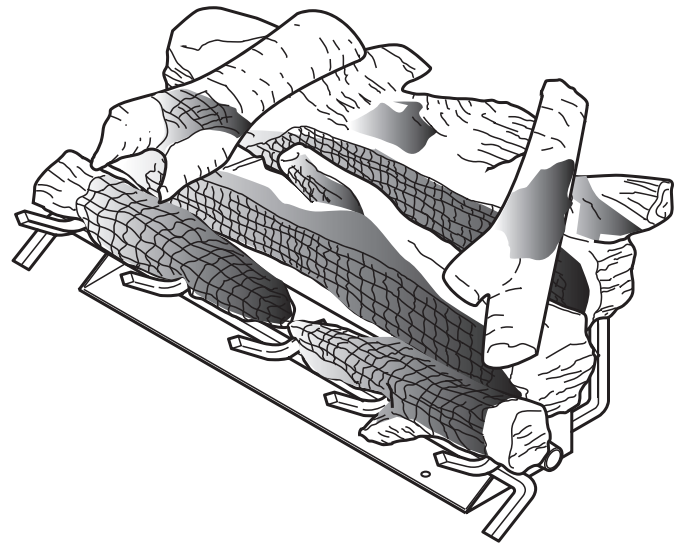


Figure 21 - VWF24B (Birch) Log Placement

MODELS VWF24/18SRO (7 LOGS), VWF30/24SRO (7 LOGS), AND VWF36/30SRO (8 LOGS)

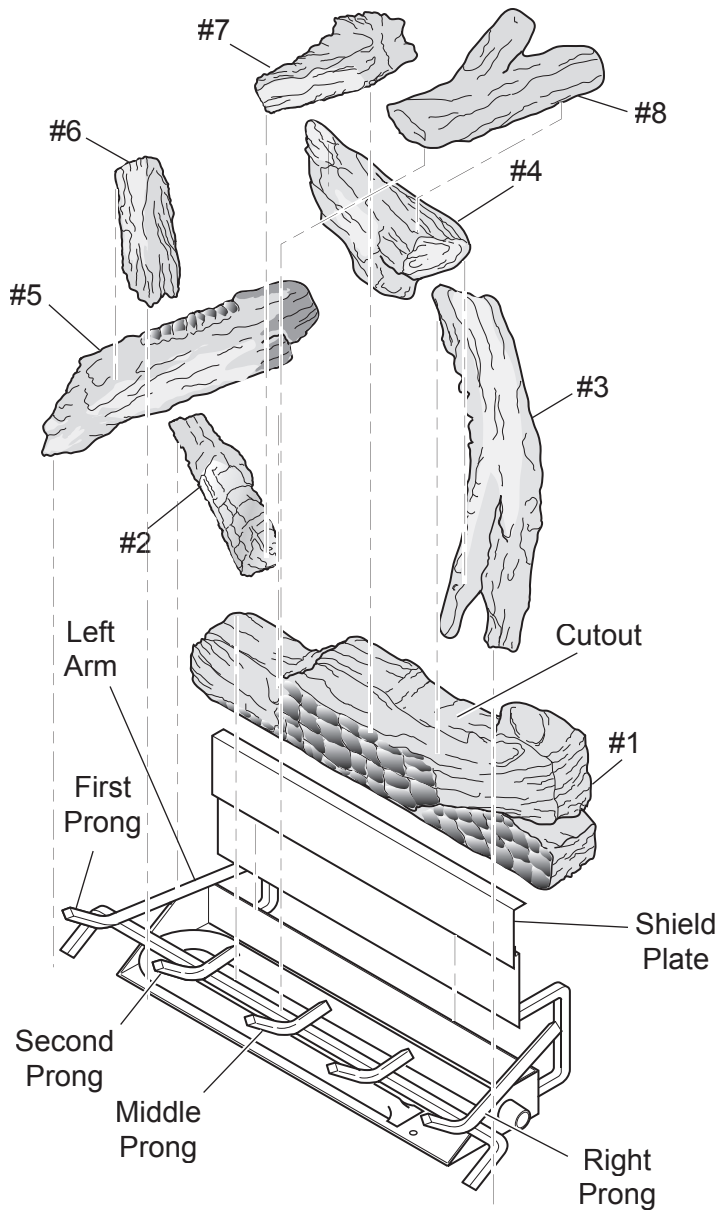


Figure 22 - VWF24/18SRO, VWF30/24SRO and VWF36/30SRO (Split River Oak) Log Placement

1. Slide shield plate down back of burner pan. *See Figure 22.*
2. Place Back Log #1 on back of grate. *See Figure 22.*
3. Place Bottom Left Log #2 in front of back log on left arm of grate. Rest end of bottom left log between second and middle prong of grate. *See Figure 22.*
4. Place end of Bottom Right Log #3 on cutout of back log #1. Rest other end of right bottom log to the outside of right grate prong. *See Figure 22.*
5. Rest right end of Top Right Log #4 on bottom right log. *See Figure 22.*
6. Rest Bottom Left Log #5 on back log #1 and to the outside of the left grate prong. *See Figure 22.*
7. Place end of Top Left Log #6 on bottom left log. Rest the other end between the first and second grate prongs. *See Figure 22.*
8. Rest Center Top Log #7 on bottom left log #2 and back log #1. *See Figure 22.*
9. **VWF36/30SRO only:** Rest Front Right Log #8 on top right log #4 and front of burner pan. *See Figure 23.*

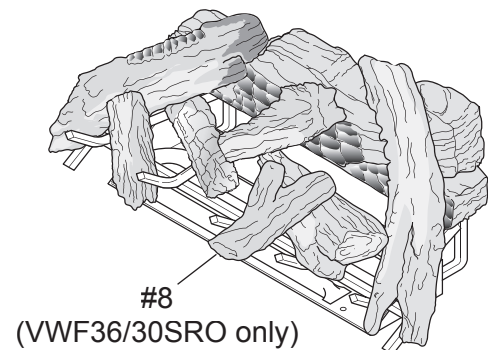


Figure 23 - VWF36/30SRO (Split River Oak) Log Placement

LOG PLACEMENT

MODELS VWF18SPA AND VWF24SPA (8 LOGS)

NOTE: Each log may have an identifying number on bottom surface.

1. Slide shield plate down back of burner pan. *See Figure 24.*
2. Place Left Front Log #1A on front left of grate. Place Right Front Log #1B on front right of the grate. *See Figure 24.*
3. Place front end of Side Support Log #2 on top left of Log #1. Rest other end of Log #2 on the rear grate bar. *See Figure 24.*
4. Fit cutout in the bottom left of Rear Log #3 over the back end of log #2. Rest right end of Log #3 on rear grate bar. *See Figure 24.*
5. Rest front end of Right Log #4 (not used in VWF18SP) on right top of Log #1. The back end of Log #4 should rests next to right hump of Log #3. *See Figure 24.*
6. Place front end of Right Middle Log #5 to left of the hump on Log #1. Rest back end of Log #5 on Log #4. *See Figure 24.*
7. Rest front end of Left Log #6 on Log #1 next to Log #5. Place back end of Log #6 on left top of Log #3. *See Figure 24.*
8. Place Top Center Log #7 on Log #5 with its back end resting on Log #6. *See Figure 1. See Figure 24.*
9. Place Top Left Log #8 on Log #7. *See Figure 24.*

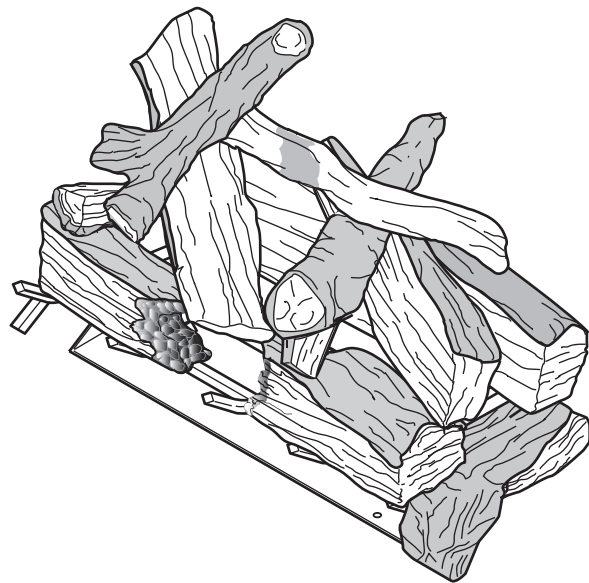
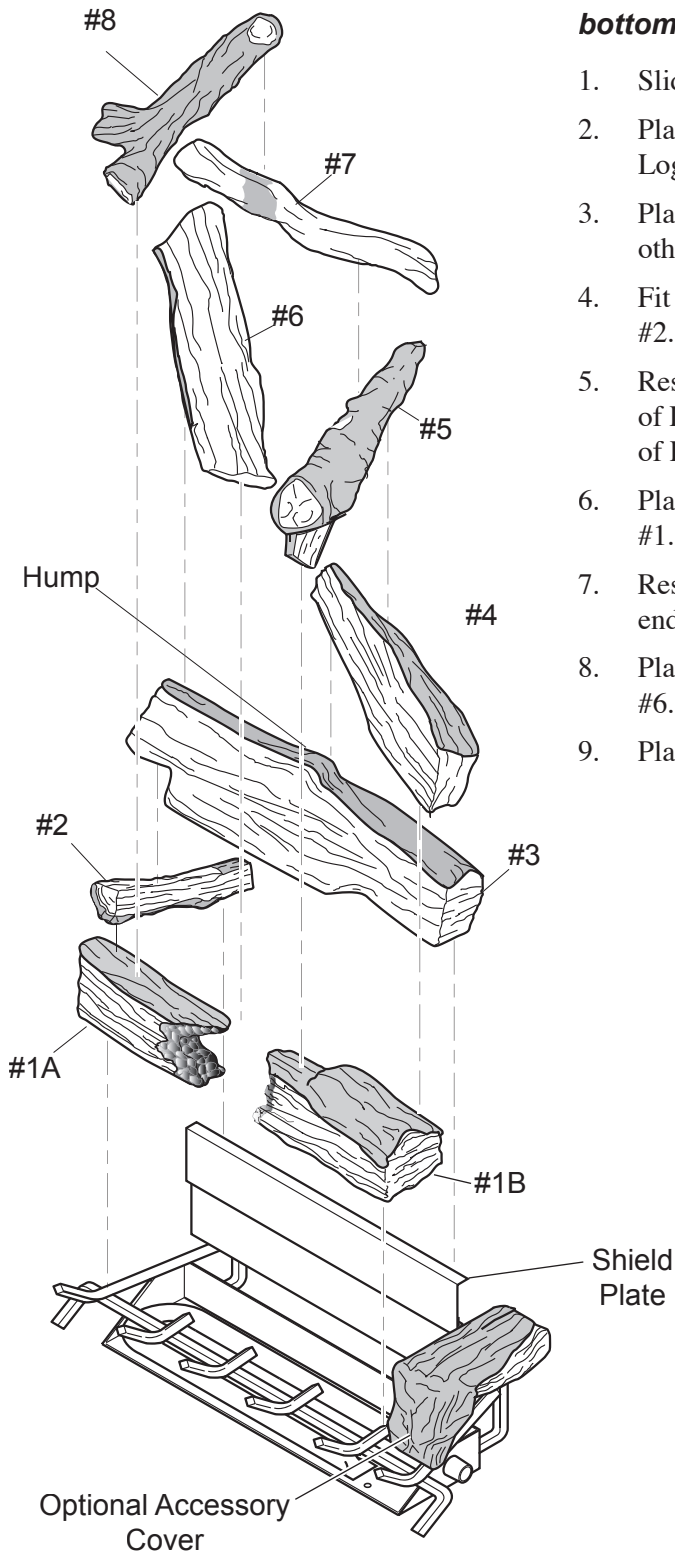
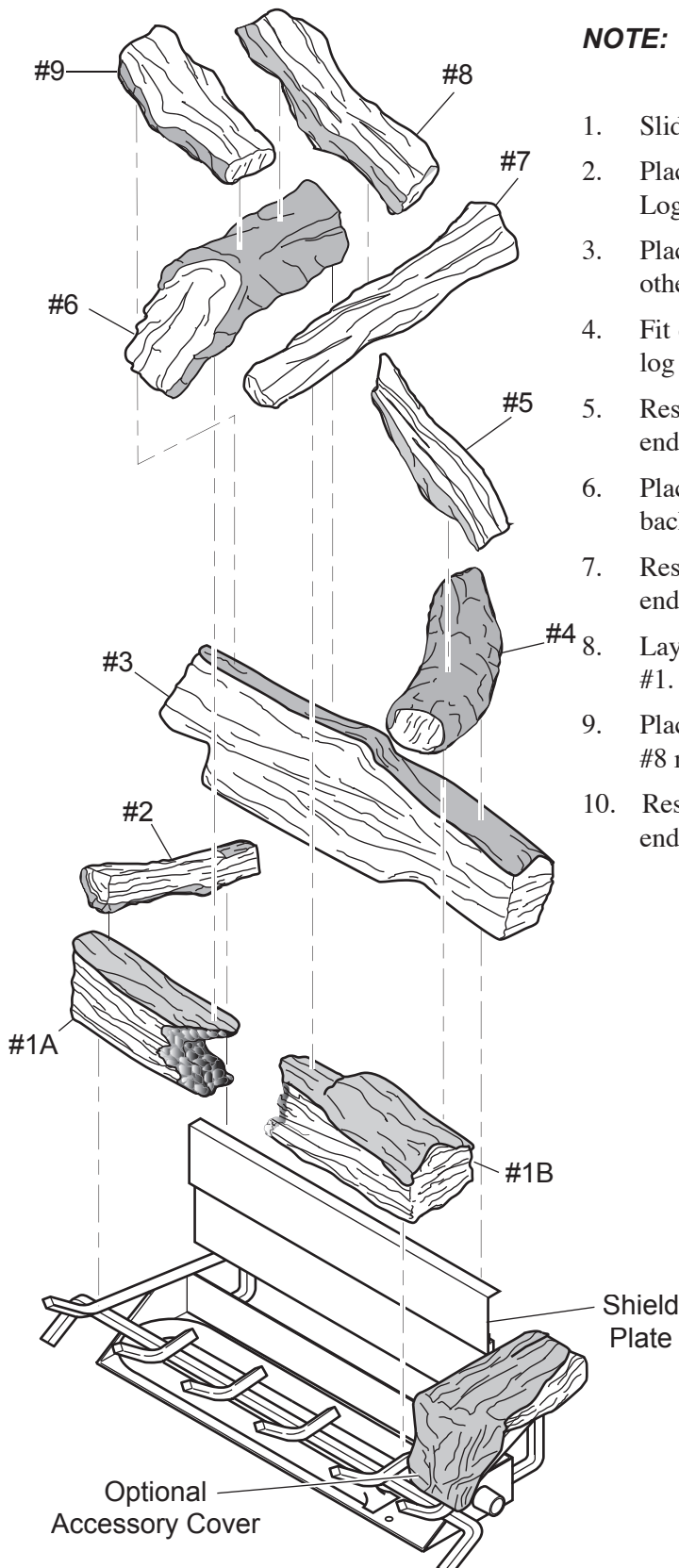


Figure 24 - VWF18SPA and VWF24SPA (Split Pine) Log Placement

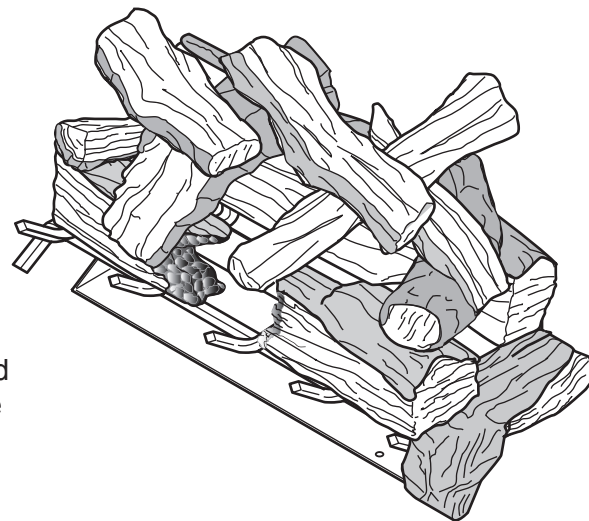
Figure 25 - VWF18SPA and VWF24SPA (Split Pine) Log Placement

MODEL VWF30SPA (8 LOGS)



NOTE: Each log may have an identifying number on bottom surface.

1. Slide shield plate down back of burner pan. *See Figure 26.*
2. Place Left Front Log #1A on front left of grate. Place Right Front Log #1B on front right of the grate. *See Figure 26.*
3. Place front end of Side Support Log #2 on top left of Log #1. Rest other end of Log #2 on rear grate bar. *See Figure 26.*
4. Fit cutout in the bottom left of Rear Log #3 over the back end of log #2. Rest right end of Log #3 on rear grate bar. *See Figure 26.*
5. Rest front end of Right Log #4 on right top of Log #1. The back end of Log #4 rests to right hump on Log #3. *See Figure 26.*
6. Place front of Right Middle Log #5 on top right of Log #4. Rest back end of Log #5 on top right of Log #3. *See Figure 26.*
7. Rest front of Left Log #6 just left of the middle of Log #1 and back end of Log #6 just left of middle of Log #3. *See Figure 26.*
8. Lay Top Center Log #7 across log #5 with front end resting on Log #1. *See Figure 26.*
9. Place front end of Top Left Log #8 on Log #7. Let back end of Log #8 rest on Log #6. *See Figure 26.*
10. Rest front of Top Top Log #9 on Log #6 and back of Log #9 on left end of Log #2. *See Figure 26.*



**Figure 27 - VWF30SPA (Split River Oak)
Log Placement**

**Figure 26 - VWF30SPA (Split River Oak)
Log Placement**

OPERATING INSTRUCTIONS

FOR YOUR SAFETY READ BEFORE LIGHTING

WARNING

If you do not follow these instructions exactly, a fire or explosion may result causing property damage, personal injury or loss of life.

- A. BEFORE OPERATING smell all around the appliance area for gas. Be sure to smell next to the floor because some gas is heavier than air and will settle on the floor.

WHAT TO DO IF YOU SMELL GAS:

- Do not attempt to light any appliance.
 - Do not touch any electric switch; do not use any phone in your building.
 - Immediately call your gas supplier from a neighbor's phone. Follow the gas supplier's instructions.
 - If you cannot reach your gas supplier, call the fire department.
- B. Use only your hand to push in, or turn the gas control knob. Never use tools. If the knob will not push in or turn by hand, don't try to repair it. Call a qualified service technician. Force or attempted repair may result in a fire or explosion.
- C. Do not use this appliance if any part of it has been under water. Immediately call a qualified service technician to inspect the appliance and to replace any part of the control system and any gas control that has been under water.

MANUAL CONTROL LIGHTING INSTRUCTIONS

1. STOP! Read the safety information label.
2. Make sure the manual shutoff valve is fully open.
3. Push in gas control knob slightly and turn clockwise to "OFF."
NOTE: Knob cannot be turned to "OFF" unless knob is pushed in slightly.
4. Wait five (5) minutes to clear out any gas. Then smell for gas, including near the floor. If you smell gas, STOP! Follow "B" in the safety information label. If you don't smell gas, go to next step.
5. Find pilot — follow metal tube from gas control.
6. From "OFF" position, push in gas control knob slightly and turn counterclockwise to "PILOT." Push in control knob for 5 seconds.
7. With the control knob pushed in, immediately light the pilot with a match. Continue to hold the control knob in for about one (1) minute after the pilot is lit. Release knob and it will pop back up. Pilot should remain lit. If it goes out, repeat steps 5 through 8.
 - If knob does not pop up when released, stop and immediately call your service technician or gas supplier.
 - If the pilot will not stay lit after several tries, turn the gas control knob to off and call your service technician or gas supplier.
8. Turn gas control knob counterclockwise to "ON."

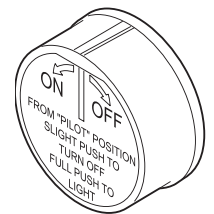


Figure 28 - Control Knob

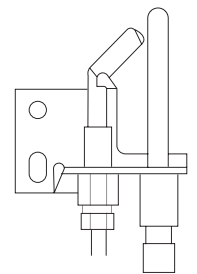





Figure 29 - Manual Pilot

TO TURN OFF GAS TO HEATER

1. Push in gas control knob slightly and turn clockwise to OFF position. Do not force.

MILLI-VOLT CONTROL LIGHTING INSTRUCTIONS

1. STOP! Read the safety information label.
2. Make sure the manual shutoff valve is fully open.
3. Turn gas control knob clockwise  to the "OFF" position, and turn ON/OFF switch to "OFF" position.
4. Wait (5) minutes to clear out any gas. Then smell for gas, including near the floor. If you smell gas, STOP!
5. From "OFF" position, turn the gas control knob counterclockwise  to "PILOT" position. Push in control knob for 5 seconds.
6. With the control knob pushed in, light pilot with match.
7. Continue pushing the control knob in for a further 60 seconds to prevent the flame detector from shutting off the gas while the probe is warming up. Release the control knob.
8. Turn gas control knob counterclockwise  to the "ON" position.
9. After the pilot has been lit for one minute, the burners can be turned on. Turn the ON/OFF switch to "ON" position.
10. If the gas logs will not operate, follow the instructions "To Turn Off Gas to Heater" and call your service technician or gas supplier.

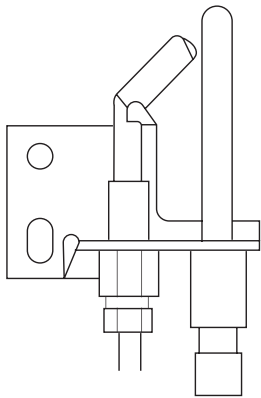


Figure 30 - Pilot

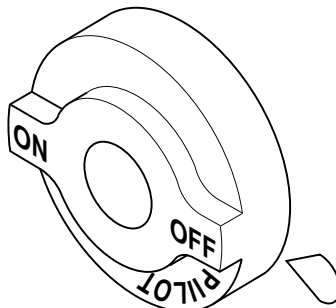


Figure 31 - Control Knob

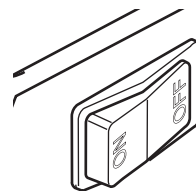






Figure 32 - On/Off Switch

TO TURN OFF GAS TO HEATER

1. Turn control knob clockwise  to OFF position to completely shut off the heater.
2. If applicable: Turn ON/OFF switch to OFF position.

OPERATING INSTRUCTIONS

HI/LO CONTROL LIGHTING INSTRUCTIONS

1. STOP! Read the safety information.
2. Make sure the manual shutoff valve is fully open.
3. See *Figure 33* for the location of the control knob. Push in gas control knob slightly and turn control knob clockwise  to the OFF position.
NOTE: Knob cannot be turned to OFF unless knob is pushed in slightly. Do not force.
4. Wait 5 minutes to clear out any gas. Then smell for gas, including near the floor. If you smell gas STOP! Follow the instructions under “*What to Do if You Smell Gas*”, page 17. If you do not smell gas, go to the next step.
5. From OFF position, push in gas control knob slightly and turn counterclockwise  to the pilot position. Push in and hold control knob for 5 seconds.
NOTE: If you are running the heater for the first time, it will be necessary to press in the control knob for 30 seconds to allow air to bleed out of the gas piping.
6. With the gas control knob pushed in, light pilot with a match.
7. Hold the gas control knob in for an additional 10 seconds.
8. Release the gas control knob.
 - If the knob does not pop out when released, stop and immediately call your service technician or gas supplier.
 - If the pilot will not stay lit after several tries, push and turn the gas control knob clockwise  to OFF and wait 15 seconds. Repeat steps 5 through 8.
9. Turn gas control knob counterclockwise  to pilot to ON.
10. Control flame with Hi/Lo control knob. See *Figure 33*.
11. The Hi/Lo control knob will control the height of the flame from pilot to high position.
12. Hi/Lo can also be controlled with optional remote.

WARNING

Wait 30 seconds before readjusting the heater when the control knob has been turned down to a lower setting.

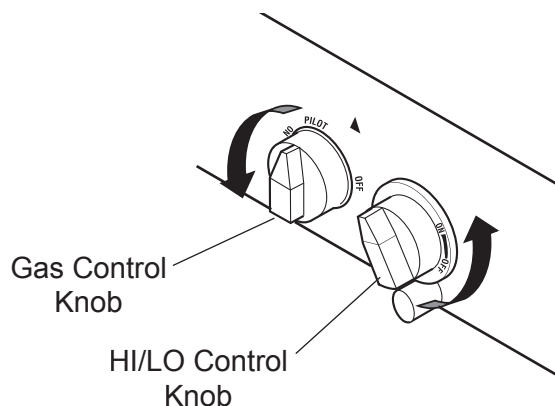



Figure 33 - Control Cover Plate for Hi/Lo Control

TO TURN OFF GAS TO HEATER

1. Turn control knob clockwise  to OFF position to completely shut off the heater.
2. If applicable: Turn off all electric power to the heater.

CHECKING BURNER FLAMES

Flame should be yellow and extend vertically (not curling toward fireplace screen).

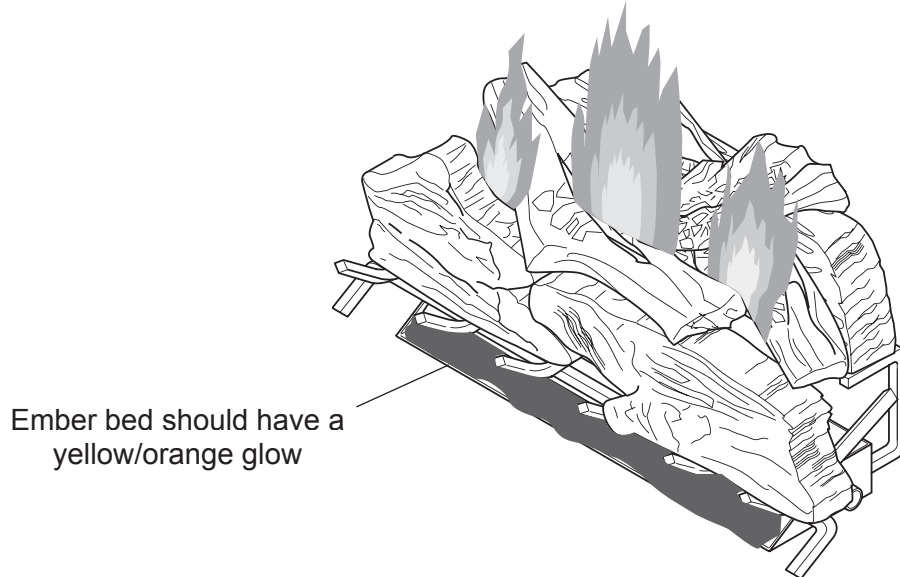


Figure 34 - Flame Appearance

PILOT FLAME APPEARANCE

The pilot flame must always be present when appliance is operating. It should just touch the top of the thermocouple/thermopile tip.

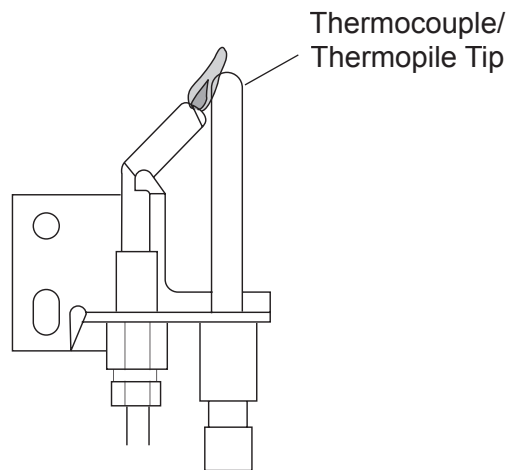


Figure 35 - Pilot Flame Appearance

During manufacturing, fabricating, and shipping, various components of this appliance are treated with certain oils, films, or bonding agents. These chemicals are not harmful, but may produce annoying smoke and smells as they burn off the first time the appliance is used. Operate the appliance 2 to 3 hours at the highest setting to burn off all the oils, films, etc. Never use this appliance with glass doors closed. This could cause the pilot to go out and cause severe sooting outside the fireplace. Always operate this appliance with the fireplace screens in place.

FIREPLACE DRAFT TEST

IMPORTANT: Fireplace Draft Test During Initial Installation

It is critical to verify that your chimney is drafting properly because the fireplace and gas logs function as a system.

Although Monessen Hearth systems goes to great lengths to design vented gas log sets that minimize sooting, all vented log sets will soot over time. Sooting normally appears as areas of black powder-like substance on the logs. It is important to periodically clean and inspect the logs per the cleaning and servicing.

WARNING Fireplace systems that do not draft properly can increase the amount of soot produced by normal operation of the log set and, in extreme cases, can cause soot to be deposited within the room. This effect can be a sign of a blocked chimney, a faulty vent system or the result of negative pressure within the home. The dealer should be able to diagnose if a problem exists and be able to provide a solution to improve the venting of the fireplace.

FIREPLACE DRAFT TEST METHOD

To determine if your fireplace is drafting properly, turn the log set on. After log set has been burning for about 10 minutes, place a match or smoke stick along the top and sides of the fireplace opening. If the flame or smoke is not pulled into the fireplace, then ***the fireplace is not venting properly***. At this point, the damper stop should be adjusted so that the damper opening is increased. If the problem remains after the open area of the damper is increased, then the fireplace system should be professionally inspected to determine if your firebox/chimney is venting properly.

REMOTE CONTROL RECEIVER REPLACEMENT

The remote control receiver and batteries are very sensitive to heat. Exposure to high temperatures can cause the receiver to malfunction and shorten the life of the batteries. If your fireplace does NOT have a restrictive barrier (see page 6), such as glass doors, it is recommended that the remote receiver be affixed to the right hand side of the heat shield or placed in the front, right corner of the fireplace. If your fireplace has a restrictive barrier, it is recommended that the remote receiver be placed outside of the fireplace.

CLEANING AND SERVICING

WARNING

Turn off gas logs and allow to cool before cleaning. Disconnect electrical power if applicable before cleaning or servicing.



Figure 36 - Removing Soot with a Soft Bristle Brush

The log set should be cleaned at least once a year for maximum performance.

Turn gas supply off. Allow unit to cool. Remove logs, handling carefully by holding gently at each end. Gloves are recommended when handling the log to prevent skin irritation from ceramic fibers. If skin becomes irritated, wash gently with soap and water. Refer to manual for correct log placement. Brush each log gently with a soft bristle brush. This will remove soot that has built up on the log set. **DO NOT USE LIQUID SOOT REMOVER ON LOGS!**

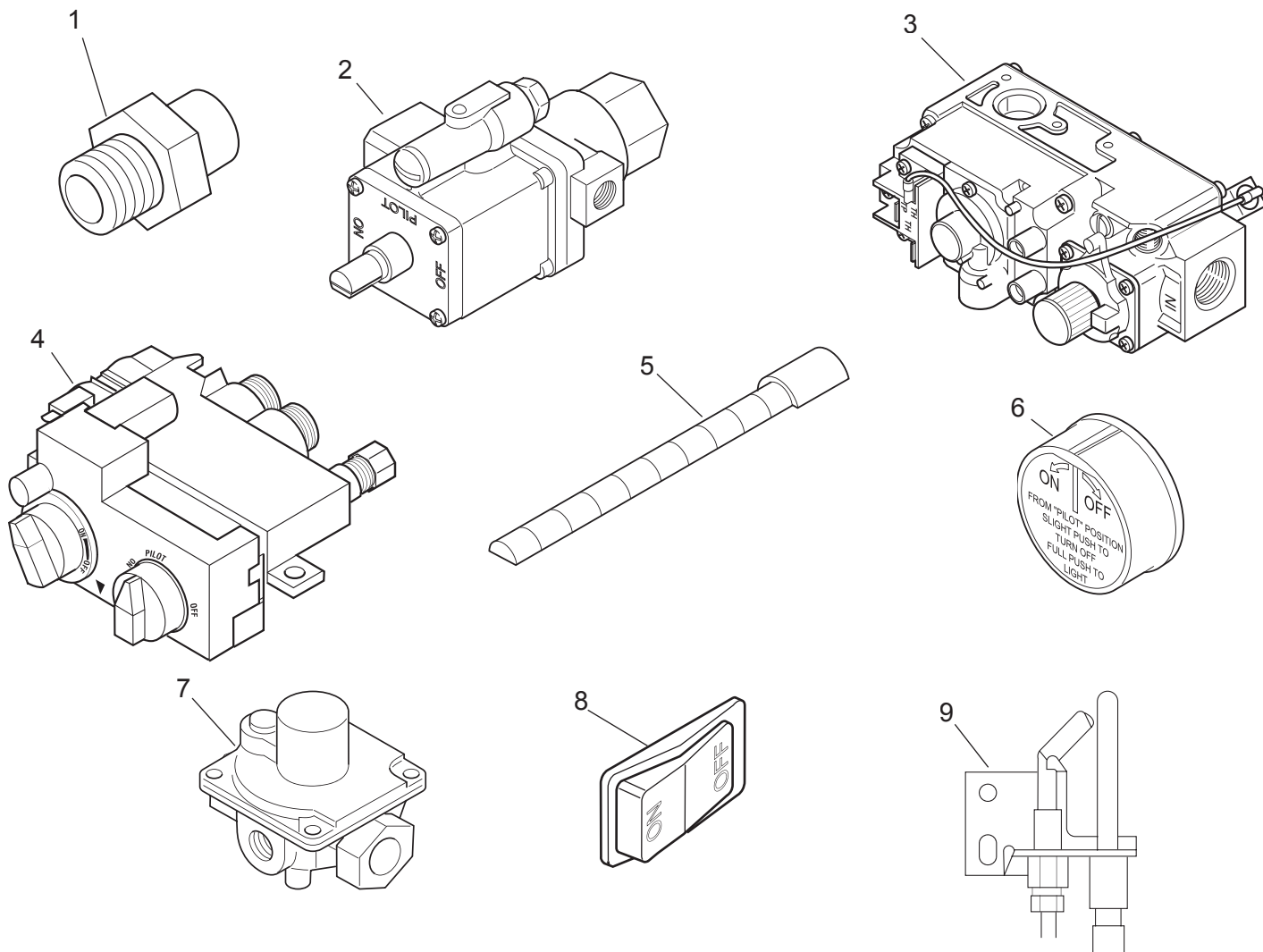
To refurbish the grate, remove grate and take it outside. Use a wire brush or sandpaper to remove any discoloration to the grate. Paint grate with high temperature black paint (barbecue paint). Reinstall grate after paint dries.

If embers (rock wool) have turned a rust color and become brittle, remove old embers (rock wool) from log set. Replace with new rock wool. Rock wool can be purchased from you local dealer. See log placement section for placement of embers.

REPLACEMENT PARTS

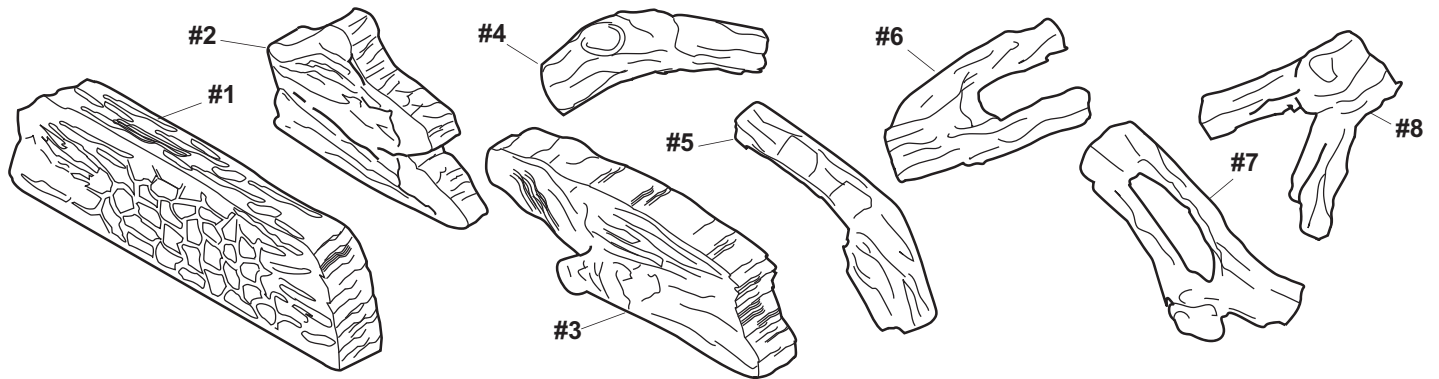
ASSEMBLY

Item	Description	VWF (18,24,30) NMB	VWF (18,24,30) PMB	VWF (18,24,30) NVA	VWF (18,24,30) PVB	VWF (18,24,30) NHB	VWF (18,24,30) PHB
1	Injector	27D7022	27D0406	27D7022	27D0406	27D7022	27D0406
2	Manual Control Valve	27D0304	27D0304	—	—	—	—
3	Milli-volt Control Valve	—	—	278006	27D3300	—	—
4	Hi/Lo Remote Control Valve	—	—	—	—	27D8521	27D8522
5	Shaft Extender (Manual) (2 required)	27D0410	27D0410	—	—	—	—
6	Control Knob	27D0602	27D0602	—	—	—	—
7	Regulator	24D0305	24D0306	—	—	—	—
8	Switch	—	—	32D0232	32D0232	—	—
9	Pilot	27D0301	27D0302	27D7027	27D7028	27D0301	27D0302

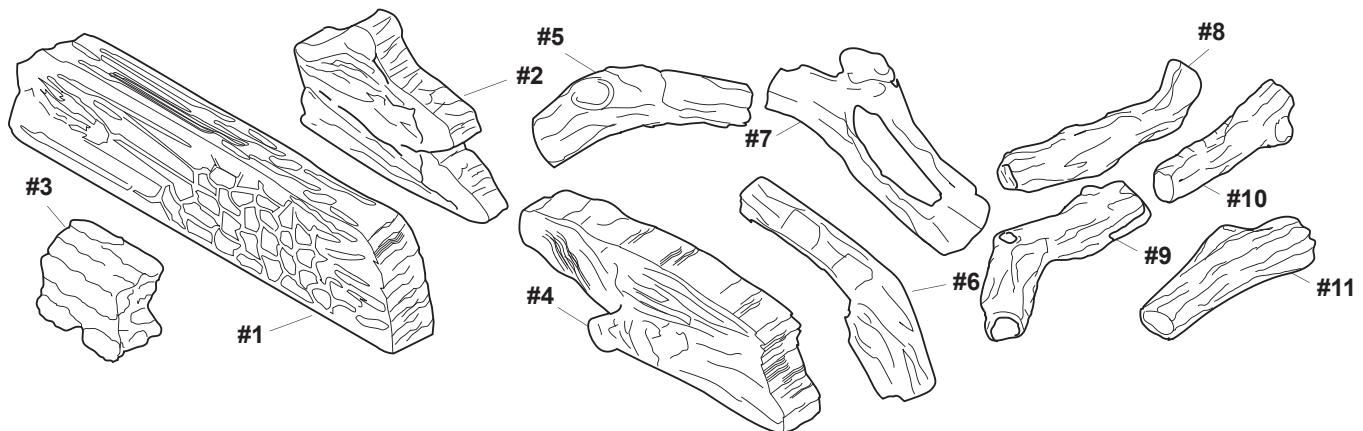


MASSIVE OAK LOGS

Item	Description	18MO	24MO	30MO
1	Back Log	27D7500	27D7506	27D6510
2	Left Front Log	27D7501	27D7507	27D7511
3	Right Front Log	27D7502	27D7508	27D7512
4	Left Side Middle Log	27D7503	27D7503	27D7503
5	Right Side Middle Log	27D7504	27D7504	27D7504
6	Right Top Log	27D7505	27D7505	27D7505
7	Left Top Log	—	27D7509	S7D7509
8	Top Crossover Log	—	—	27D7513



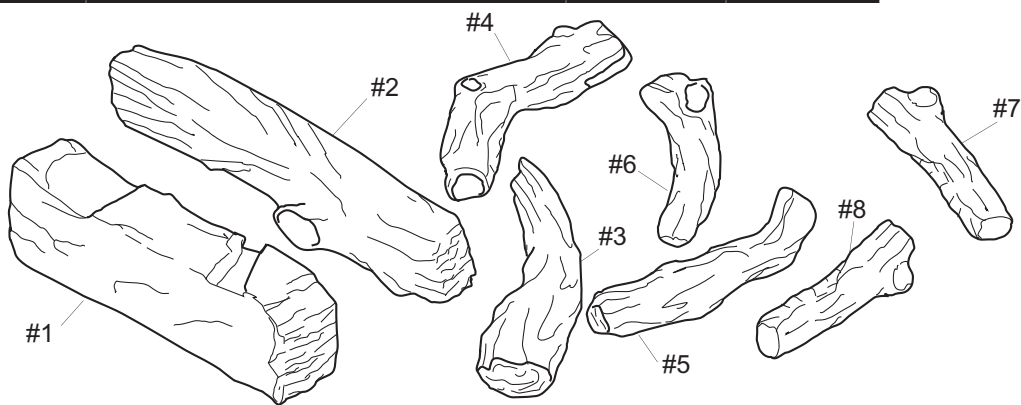
Item	Description	Qty	36MO
1	Rear Log	1	27D8824
2	Left Front Log	1	27D7511
3	Center Front Log	1	27D8825
4	Right Front Log	1	27D7512
5	Left Side Log	1	27D7503
6	Right Side Log	1	27D7504
7	Right Side Middle Log	1	27D7509
8	Top Log	1	27D8586
9	Top Log	1	27D8581
10	Top Log	1	27D8599
11	Top Left Log	1	27D8826



REPLACEMENT PARTS

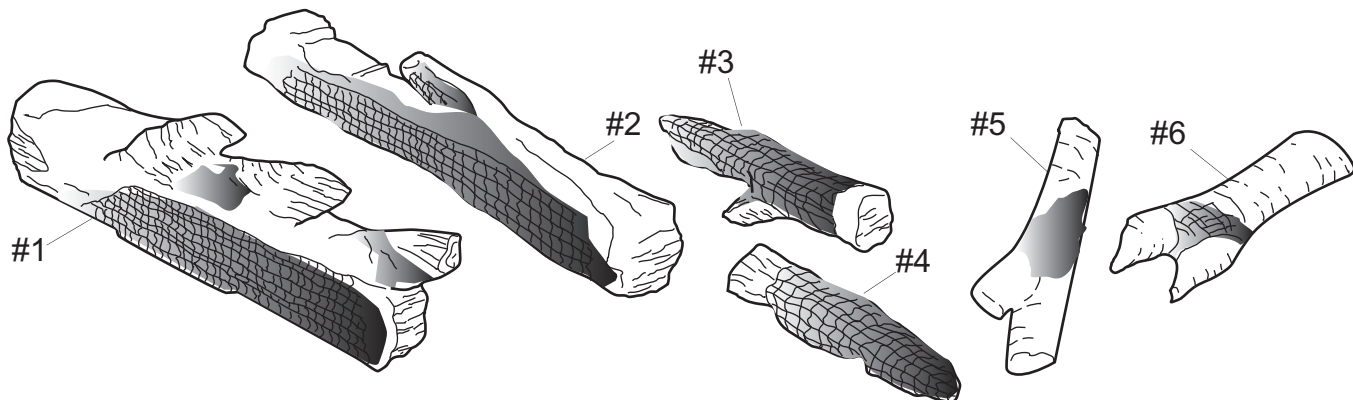
AMERICAN OAK LOGS

Item	Description	VWF18AO	VWF24AO	VWF30AO
1	Front Log	27D8576	27D8584	27D8592
2	Back Log	27D8577	27D8585	27D8593
3	Right Middle Log	27D8580	27D8588	27D8596
4	Left Middle Log	27D8581	27D8589	27D8597
5	Top Right Log	27D8578	27D8586	27D8594
6	Top Left Log	27D8579	27D8587	27D8595
7	Top Center Log	—	—	27D8598
8	Top Top Center	—	—	27D8599



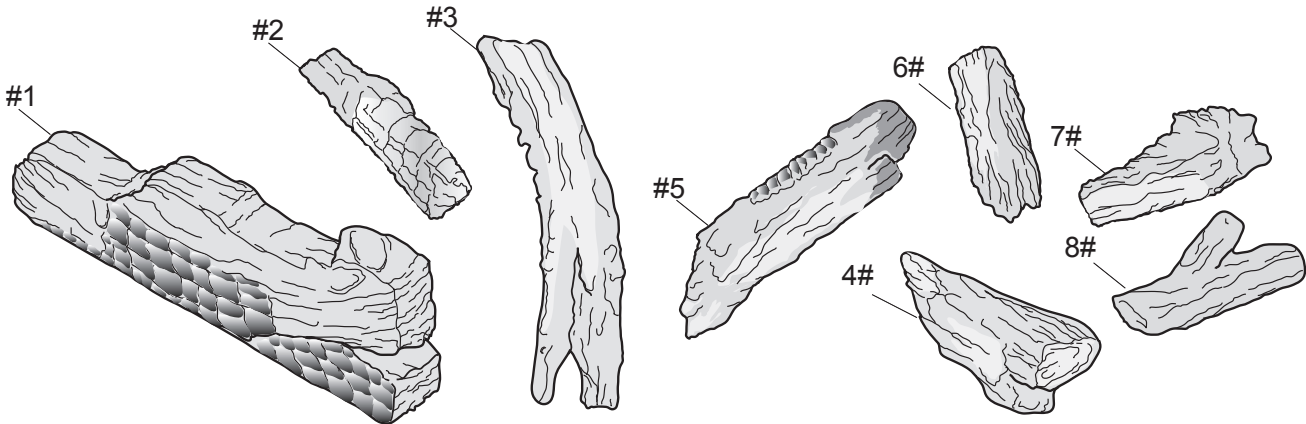
BIRCH LOGS

Item	Description	Qty	VWF24B
1	Back Log	1	27D1026
2	Middle Log	1	27D1025
3	Right Front Log	1	27D1024
4	Left Front Log	1	27D1023
5	Top Right Log	1	27D1028
6	Top Left Log	1	27D1027



SPLIT RIVER OAK LOGS

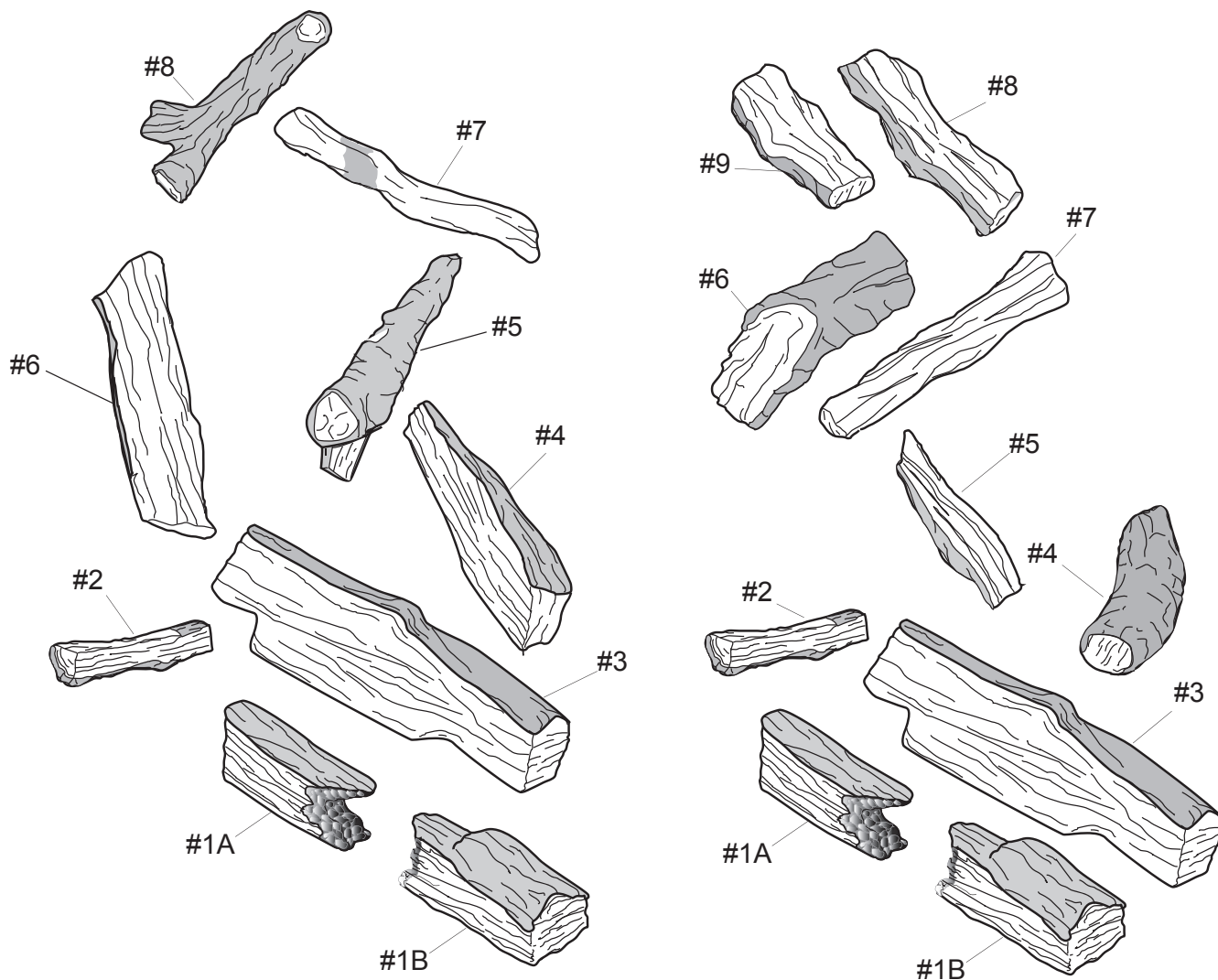
Item	Description	Qty	VWF24SRO	VWF30SRO	VWF36SRO
1	Back Log	1	27D8800	27D8807	27D8814
2	Bottom Left Log	1	27D8801	27D8808	27D8815
3	Bottom Right Log	1	27D8802	27D8809	27D8816
4	Top Right Log	1	27D8803	27D8810	27D8817
5	Bottom Front Left Log	1	27D8804	27D8811	27D8818
6	Top Left Log	1	27D8805	27D8812	27D8819
7	Center Top Log	1	27D8806	27D8813	27D8820
8	Front Right Log	1	—	—	27D8821



REPLACEMENT PARTS

SPLIT PINE LOGS

Item	Description	Qty	VWF18SP	VWF24SP	VWF30SP
1A	Front Left Log	1	27D8700	27D8702	27D8704
1B	Right Front Log	1	27D8701	27D8703	27D8705
2	Side Support Log	1	27D8551	27D8559	27D8567
3	Rear Log	1	27D8552	27D8560	27D8568
4	Right Log	1	27D8553	27D8561	27D8569
5	Right Middle Log	1	27D8554	27D8562	27D8570
6	Left Log	1	27D8555	27D8563	27D8571
7	Top Center Log	1	27D8556	27D8564	27D8572
8	Top Left Log	1	27D8557	27D8565	27D8573
9	Top Top Left Log	1	—	—	27D8574



LIMITED LIFETIME WARRANTY POLICY

LIFETIME WARRANTY

The following components are warranted for life to the original owner, subject to proof of purchase: Firebox, Combustion Chamber, Heat Exchanger, Grate, Stainless Steel Burners, and Vented Fiber Ceramic and Refractory Logs.

FIVE YEAR WARRANTY

The following components are warranted for 5 years to the original owner, subject of proof of purchase: Vent-free Ceramic Fiber Logs, Catalytic Filter and Aluminized Burners.

BASIC WARRANTY

Monessen Hearth Systems (MHS) warrants the components and materials in your gas appliance to be free from manufacturing and material defects for a period of two years from date of installation. After installation, if any of the components manufactured by MHS in the appliance are found to be defective in materials or workmanship, MHS will, at its option, replace or repair the defective components at no charge to the original owner. MHS will also pay for reasonable labor costs incurred in replacing or repairing such components for a period of two years from the date of installation. Any products presented for warranty repair must be accompanied by a dated proof of purchase.

This Limited Warranty will be void if the appliance is not installed by a qualified installer in accordance with the installation instructions. The Limited Lifetime Warranty will also be void if the appliance is not operated and maintained according to the operating instructions supplied with the appliance, and does not extend to (1) firebox/burner assembly damage by accident, neglect, misuse, abuse, alteration, negligence of others, including the installation thereof by unqualified installers, (2) the costs of removal, reinstallation or transportation of defective parts on the appliance, or (3) incidental or consequential damage. All service work must be performed by an authorized service representative.

This warranty is expressly in lieu of other warranties, express or implied, including the warranty of merchantability of fitness for purpose and of all other obligations or liabilities. Monessen Hearth Systems, Inc. does not assume for it any other obligations or liability in connection with the sale or use of the appliance. In states that do not allow limitations on how long an implied warranty lasts, or do not allow exclusion of indirect damages, those limitations of exclusions may not apply to you. You may also have additional rights not covered in this Limited Warranty.

MHS reserves the right to investigate any and all claims against the Limited Warranty and decide upon method of settlement.

For information about this warranty, contact:

**Technical Services
Monessen Hearth Systems
149 Cleveland Drive
Paris, Kentucky 40361**